

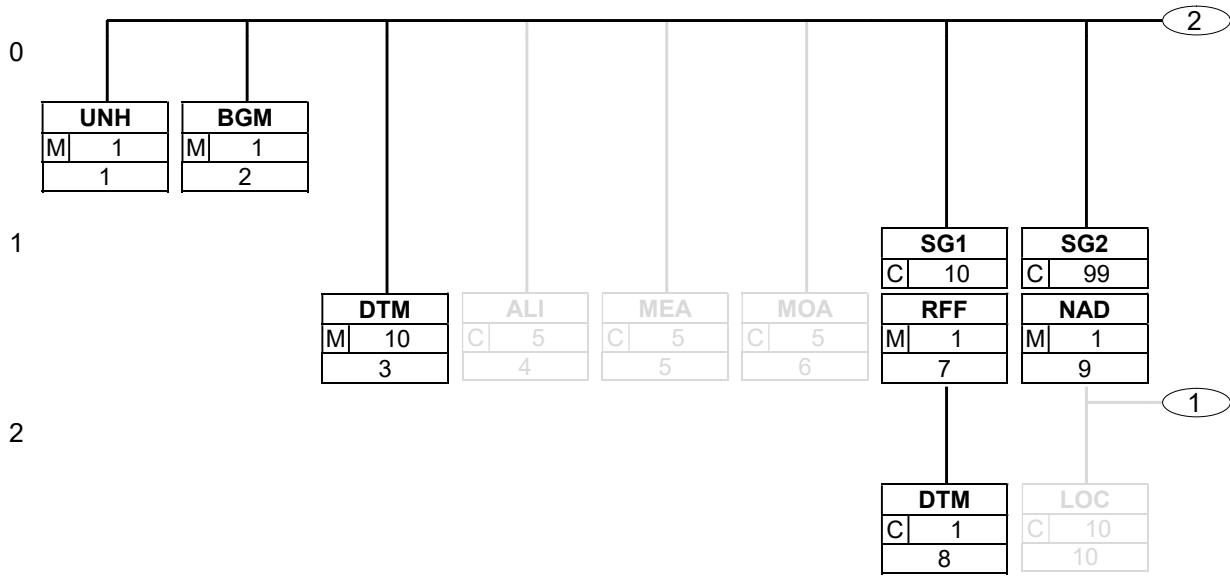


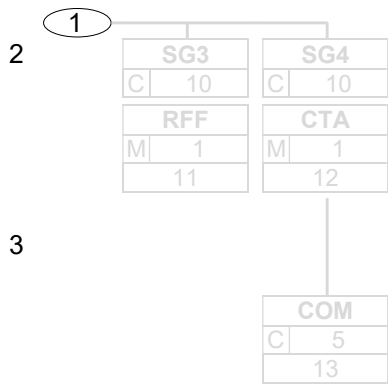
**Belgium & Luxembourg**

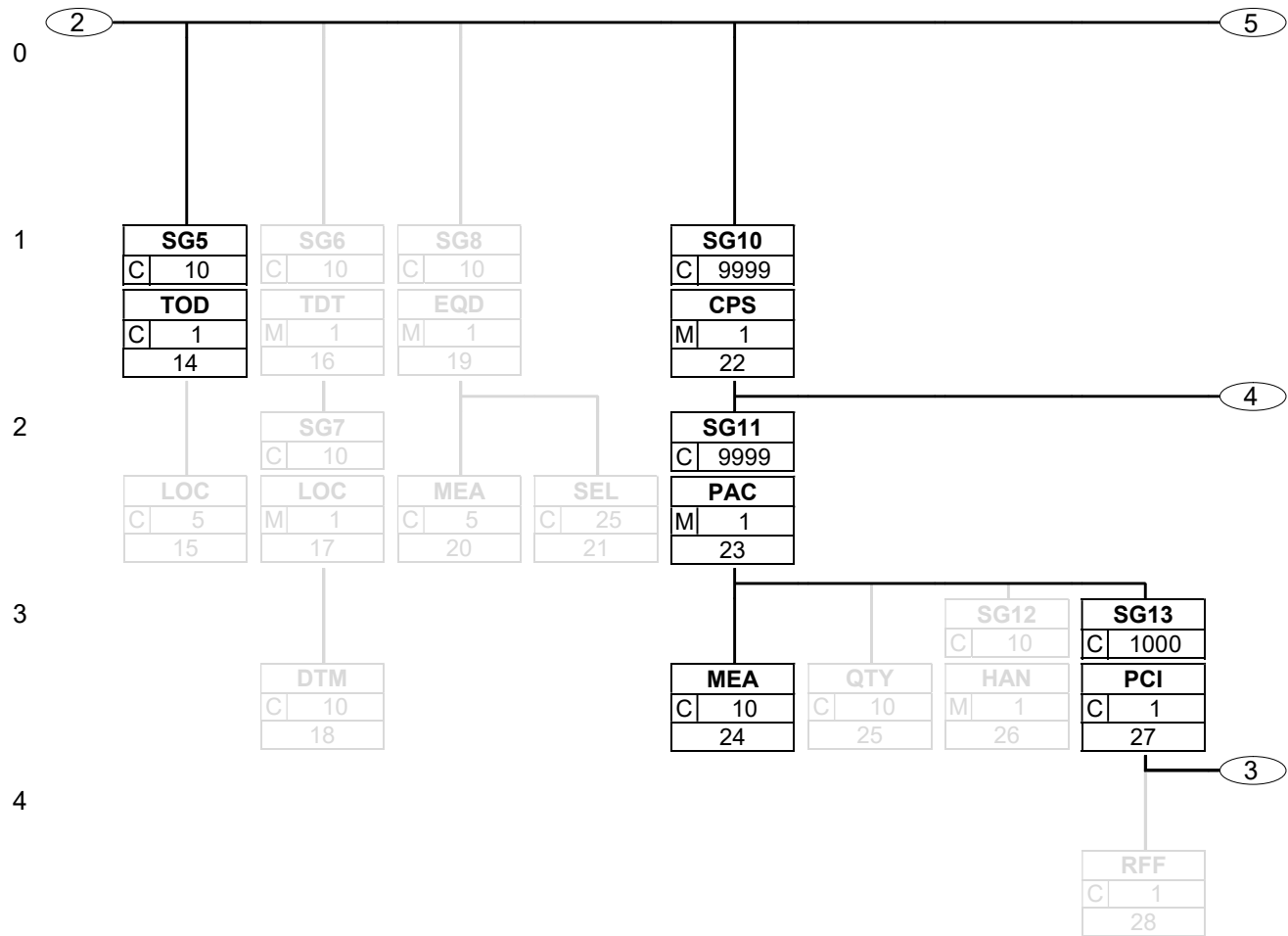
The Global Language of Business

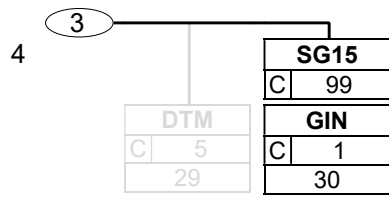
**Harmonized Order to Cash (HO2C) V3.0  
DESADV Branching diagram**

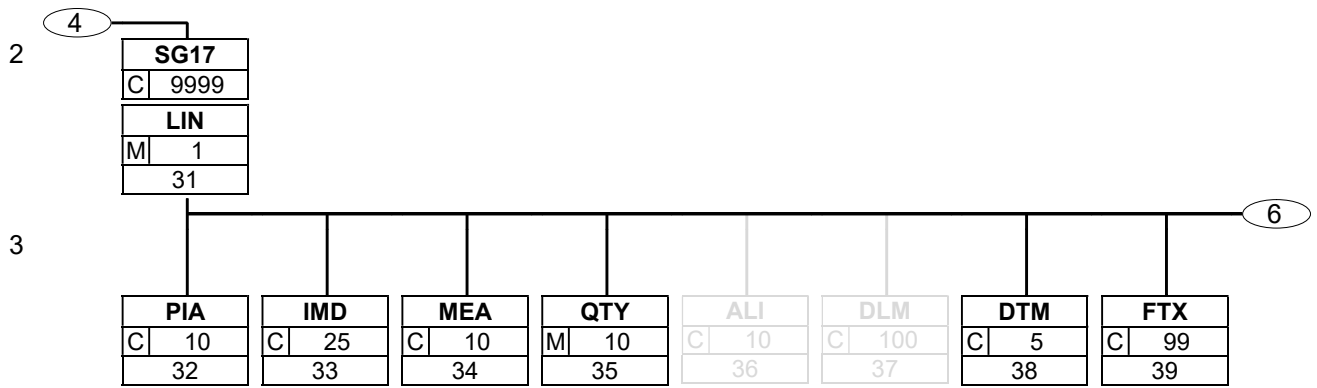


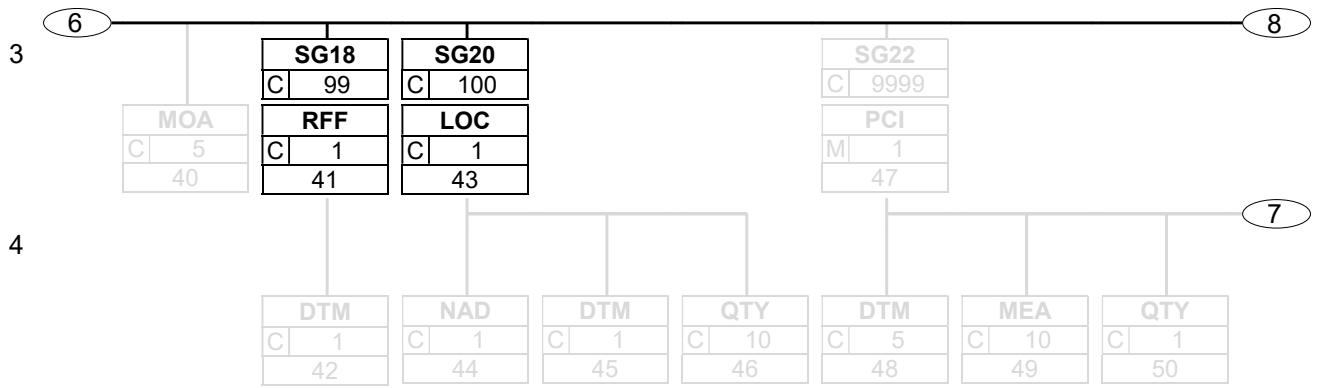




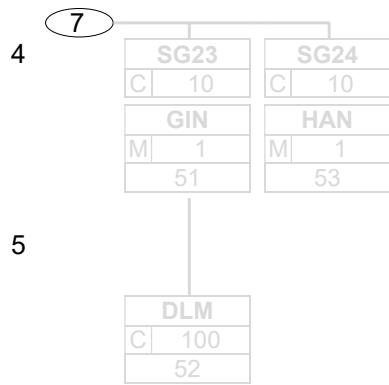


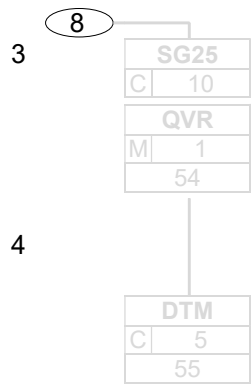


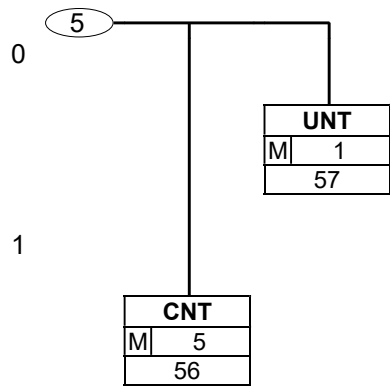
















**Belgium & Luxembourg**

The Global Language of Business

**Harmonized Order to Cash (HO2C) V3.0  
DESADV Message Implementation Guideline**



| Segm.#   | Segm. | Composite DE | DE | DE name | MaxUs                                      | Belgilux | Value | Meaning | Type | Length |
|--|-------|--------------|----|---------|--|----------|-------|---------|------|--------|
| <b><u>Introduction :</u></b>   |       |              |    |         |  |          |       |         |      |        |
| <b>About the Despatch Advice</b>   |       |              |    |         |  |          |       |         |      |        |
| The Harmonised Order to Cash (HO2C) DESADV MIG enables a uniform implementation of the EDI despatch advice for all actors in the Belgian & Luxembourgian Fast Moving Consumer Goods and Food Service sectors.                      |       |              |    |         |  |          |       |         |      |        |
| The MIG is fully compliant to EANCOM 2002 but much more refined/precise.   |       |              |    |         |  |          |       |         |      |        |
| HO2C is a <b>subset</b> (= "filter") of EANCOM 2002, so many segments, data elements and code qualifiers that exists in EANCOM 2002 can't be used in HO2C.   |       |              |    |         |  |          |       |         |      |        |
| GS1 Belgilux recommends to use the DESADV in combination with the GS1 logistic label (containing the SSCC of the logistic unit).   |       |              |    |         |  |          |       |         |      |        |
| This allows to match the 'physical flow of goods' (marked with SSCC) to the 'flow of information' (DESADV containing the SSCC), ensuring reliable track and tracing and faster reception processes.                                |       |              |    |         |  |          |       |         |      |        |
| The DESADV hierarchically describes the content per logistic unit (uniquely identified with SSCC).   |       |              |    |         |  |          |       |         |      |        |
| Those logistic units are composed of a logistic carrier (uniquely identified with a GRAI) and trade units of articles (uniquely identified with GTINs).  |       |              |    |         |  |          |       |         |      |        |
| Or, when applicable, the content per crate (uniquely identified by GRAI) per logistic unit (SSCC).   |       |              |    |         |  |          |       |         |      |        |
| Although this hierarchical description is mandatory, suppliers who aren't able to describe logistic units (due the lack of functionality in the ERP/WMS system) can ask retailers an exception to use the non-hierarchical DESADV. |       |              |    |         |  |          |       |         |      |        |
| In that case only the number of logistic carriers and articles in the consignment need to be listed, without indication of which article is located on which carrier.  |       |              |    |         |  |          |       |         |      |        |
| <b>Abbreviations:</b>  |       |              |    |         |  |          |       |         |      |        |
| - <b>MIG</b> = Message Implementation Guideline  |       |              |    |         |  |          |       |         |      |        |
| - <b>DE</b> = Data Element   |       |              |    |         |  |          |       |         |      |        |
| - <b>SG</b> = Segment Group  |       |              |    |         |  |          |       |         |      |        |
| <b>Columns:</b>  |       |              |    |         |  |          |       |         |      |        |
| The following columns are present throughout the MIG:  |       |              |    |         |  |          |       |         |      |        |
| <b>1. Segm.#</b> (Segment number) :  |       |              |    |         | as in "full" EANCOM 2002 DESADV message    |          |       |         |      |        |
| <b>2. Segm.</b> (Abbreviation segment name) :  |       |              |    |         | as in EDIFACT / EANCOM 2002 DESADV message |          |       |         |      |        |
| <b>3. (if present) Composite DE</b> :  |       |              |    |         | "  |          |       |         |      |        |
| <b>4. DE</b> (Data Element Number):  |       |              |    |         | "  |          |       |         |      |        |

| Segm.# | Segm.  | Composite DE | DE | DE name | MaxUs | Belgilux | Value | Meaning  | Type | Length |
|--------|--|--------------|----|---------|-------|----------|-------|--|------|--------|
| 5.     | DE name :  |              |    |         |       |          | "     |  |      |        |
| 6.     | MaxUse :   |              |    |         |       |          | "     |  |      |        |
| 7.     | <p><b>Belgilux:</b> Describes the status of each <b>segment</b> and <b>DE</b> for the HO2C DESADV MIG.</p> <p>- <b>Segment status:</b> A segment is either '<b>M</b>' (mandatory) or '<b>C</b>' (conditional).</p> <ul style="list-style-type: none"> <li>* Each mandatory segment has an explicit '<b>M</b>' indicated in the Belgilux column. This implies that the segment always has to be mentioned.</li> <li>* Conditional segments have '<b>C</b>' in the Belgilux column, they are only to be used when the condition specified in the segment note below is met.</li> </ul> <p>- <b>DE status:</b> A DE is either '<b>R</b>' (required), '<b>D</b>' (dependent), '<b>O</b>' (optional) or '<b>N</b>' (not used).</p> <ul style="list-style-type: none"> <li>* Required (<b>R</b>) DEs/values have to be mentioned (provided the segment is used).</li> <li>* Dependent (<b>D</b>) DEs/values have to be mentioned in case the dependency specified in the segment note below, is met.</li> <li>* Optional (<b>O</b>) DEs/values may be mentioned if the sender wishes to do so, but may as well stay empty (= be skipped).</li> <li>* Not used (<b>N</b>) DEs can either be used in EDIFACT but not in global EANCOM 2002, or are not retained in the scope of this national HO2C MIG.</li> </ul> <p>These DEs are in grey to stress their nonoccurrence and for improved user comfort.</p> <p>The status of the DE is repeated for each predefined value/code qualifier (see 8). All code qualifiers that have to be mentioned (depending if the condition is met), need to be described in that DE by repeating the entire segment.</p> |              |    |         |       |          |       |  |      |        |
| 8.     | <p><b>Value:</b></p> <ul style="list-style-type: none"> <li>- The DE either has a <b>predefined value</b> (from code list 'Data Elements &amp; Code Sets directory - EANCOM 2002 edition 2012')</li> <li>- or a value filled out as &lt;.&gt; because it is different each time (e.g. dates, document number, ...).</li> </ul> <p>Similarly, all GS1 Identification Keys have already been filled in as &lt;GTIN&gt; or &lt;GLN&gt;.</p> <p>- Note that the (predefined) values taken up in this MIG are considered to <b>cover all user requirements</b> for the Belgilux FMCG and Food Service sector. That is why, unlike EANCOM, this MIG does not take up the notions "open" and "restricted" code lists, since all relevant codes are already explicitly defined in the MIG.</p>   |              |    |         |       |          |       |  |      |        |
| 9.     | DE type :  |              |    |         |       |          |       | as in EDIFACT / EANCOM 2002 DESADV message                                   |      |        |
| 10.    | DE length :  |              |    |         |       |          |       | compliant to EDIFACT / EANCOM 2002 DESADV, but in some cases more restricted |      |        |



| Segm.#            | Segm.      | Composite DE | DE | DE name   | MaxUs | Belgilux | Value | Meaning | Type | Length |
|-------------------|------------|--------------|----|---|-------|----------|-------|---------|------|--------|
| <b>Changelog:</b> |            |              |    |   |       |          |       |         |      |        |
| V3                | 2019-06-01 |              |    | - IMD (#33): corrected harvest year (scenario wine):<br>changed status DE 7077 from R to D for code F<br>moved code C with same status from DE 7081 to 7077 + code 72 with same status from DE 1131 to 7081<br>changed status DE 1131 from D to N<br>rewrite of the dependency notes related to those DE  |       |          |       |         |      |        |
|                   |            |              |    | - IMD (#33): added scenario fish traceability:<br>changed status DE 7009 from N to D<br>added code X59 to DE 1131<br>added code 400 to DE 3055<br>rewrite of the dependency notes related to those DE   |       |          |       |         |      |        |
|                   |            |              |    | - LOC (#43): added code 306 to DE 3227 for scenario sustainable fruit & vegetables  |       |          |       |         |      |        |
|                   |            |              |    | - DTM (#38): added code 91E to DE 2005 for scenario fish traceability   |       |          |       |         |      |        |
| V2.0              | 2018-01-25 |              |    | - Changed url RTI list from <a href="https://www.gs1.nl/sites/default/files/so_emballagecodes_gs1beneluxrtiist.pdf">https://www.gs1.nl/sites/default/files/so_emballagecodes_gs1beneluxrtiist.pdf</a> into <a href="https://www.gs1.nl/sites/default/files/so_emballagecodes_gs1beneluxrtiist.xlsx">https://www.gs1.nl/sites/default/files/so_emballagecodes_gs1beneluxrtiist.xlsx</a> in segment notes PAC (#23) and GIN (#30)   |       |          |       |         |      |        |
| v2.0              | 2017-04-01 |              |    | - All unused data-elements: added N in status and changed font color to grey to enhance user readability.<br>- UNB missing MaxUs 1 added.<br>- UNH (#1): deleted DE 0110 and DE0 113 that don't exist in EANCOM 2002.<br>- BGM (#2): changed status DE 3055 from N to D to be in line with basic EDIFACT syntax.<br>- DTM (#3): changed status code qualifier 11 DE 2005 from O to D. Dependent the scenario code 17 or 11 has to be used.<br>linked dependency note DE 2379 to DE 2380 + deleted superfluous content in note.<br>added code 719 to DE 2379 + changed status code 203 from R to D + added dependency note.<br>- DTM (#8): linked dependency note DE 2379 to DE 2380.<br>- NAD (#9): deleted reference to usage of #43 LOC in case of cross docking.<br>this is only the case for transshipment is indicated in the dependency notes of #9 NAD and the segment notes of #43 LOC.<br>changed status DE 3036, 3042, 3164, 3251 and 3207 from N to D + added dependency note.<br>- TOD (#14): added missing status C to segment + changed status DE 4055 from O to R.<br>- CPS (#22): changed status DE 7075 to C + added dependency note.<br>- PAC (#23): added missing status C to segment + rewrite of segment notes so the condition when this segment has to be used is clearer.<br>added missing codes 204, 205, 206, 212 and CW to DE 7065 so each RTI of RTI list has corresponding package type code.<br>+ modified dependency note.<br>- MEA (#24): changed status DE 6321, 6155, 6154, 6162, 6152, 6432, 7383 from O to N. |       |          |       |         |      |        |





| Segm.#                            | Segm. | Composite DE | DE   | DE name                                  | MaxUs | Belgilux | Value              | Meaning  | Type | Length |
|-----------------------------------|-------|--------------|------|--|-------|----------|--------------------|--|------|--------|
| <b>UNB Interchange header 1 M</b> |       |              |      |  |       |          |                    |  |      |        |
|                                   | UNB   | <b>S001</b>  |      | <b>Syntax identifier</b>                 |       | R        |                    |  |      |        |
|                                   | UNB   | S001         | 0001 | Syntax identifier                        |       | R        | <b>UNOC</b>        | = covers UNOA, UNOB (small characters) and certain foreign characters            | A    | 1>4    |
|                                   | UNB   | S001         | 0002 | Syntax version number                    |       | R        | <b>3</b>           | = Syntax version 3   | N    | 1      |
|                                   | UNB   | <b>S002</b>  |      | <b>Interchange sender</b>                |       | R        |                    |  |      |        |
|                                   | UNB   | S002         | 0004 | Sender identification                    |       | R        | <b>&lt;GLN&gt;</b> | = sender GLN (Limited to 13 characters)  | N    | 1>13   |
|                                   | UNB   | S002         | 0007 | Partner identification code qualifier    |       | R        | <b>14</b>          | = GS1  | AN   | 1>4    |
|                                   | UNB   | S002         | 0008 | Address for reverse routing              |       | O        |                    |  | AN   | 1>14   |
|                                   | UNB   | <b>S003</b>  |      | <b>Interchange recipient</b>             |       | R        |                    |  |      |        |
|                                   | UNB   | S003         | 0010 | Recipient identification                 |       | R        | <b>&lt;GLN&gt;</b> | = recipient GLN (Limited to 13 characters)                                       | N    | 1>13   |
|                                   | UNB   | S003         | 0007 | Partner identification code qualifier    |       | R        | <b>14</b>          | = GS1  | AN   | 1>4    |
|                                   | UNB   | S003         | 0014 | Routing address                          |       | O        |                    |  | AN   | 1>14   |
|                                   | UNB   | <b>S004</b>  |      | <b>Date/time of preparation</b>          |       | R        |                    |  |      |        |
|                                   | UNB   | S004         | 0017 | Date of preparation                      |       | R        | <b>&lt;...&gt;</b> | date format YYMMDD   | N    | 1>6    |
|                                   | UNB   | S004         | 0019 | Time of preparation                      |       | R        | <b>&lt;...&gt;</b> | time format HHMM   | N    | 1>4    |
|                                   | UNB   |              | 0020 | Interchange control reference            |       | R        | <b>&lt;...&gt;</b> | Unique reference number generated through the sender to identify the interchange | AN   | 1>14   |
|                                   | UNB   | <b>S005</b>  |      | <b>Recipient's reference password</b>    |       | O        |                    |  |      |        |
|                                   | UNB   | S005         | 0022 | Recipient's reference/password           |       | O        |                    |  | AN   | 1>14   |
|                                   | UNB   | S005         | 0025 | Recipient's reference/password qualifier |       | O        |                    |  | AN   | 1>2    |
|                                   | UNB   |              | 0026 | Application reference                    |       | R        | <b>BELU_V3</b>     | = Harmonized Order-to-Cash version 3   | AN   | 1>14   |
|                                   | UNB   |              | 0029 | Processing priority code                 |       | N        |                    |  | A    | 1      |
|                                   | UNB   |              | 0031 | Acknowledgment request                   |       | N        |                    |  | N    | 1      |
|                                   | UNB   |              | 0032 | Communications agreement ID              |       | N        |                    |  | AN   | 1>35   |
|                                   | UNB   |              | 0035 | Test indicator                           |       | D        | <b>1</b>           | Interchange is a test  | N    | 1      |

| Segm.#   | Segm. | Composite DE | DE | DE name | MaxUs | Belgilux | Value | Meaning | Type | Length |
|--|-------|--------------|----|---------|-------|----------|-------|---------|------|--------|
| <p><i>This segment (together with UNZ) is used to envelope the interchange, as well as to identify both the party to whom the interchange is sent and the party who has sent the interchange. The principle of the UNB segment is the same as a physical envelope which contains one or more letters, and which details both the address where delivery is to take place and the address from where the envelope comes.</i></p> <p><u>Dependency notes:</u><br/>DE0035: only use this DE with code 1 when the message is in test. For messages in production, DE 0035 is not used.</p> |       |              |    |         |       |          |       |         |      |        |

| Segm.#   | Segm.      | Composite DE | DE   | DE name                       | MaxUs   | Belgilux | Value   | Meaning | Type | Length |
|----------|------------|--------------|------|-------------------------------|---------|----------|---|---------|------|--------|
| <b>1</b> | <b>UNH</b> |              |      | <b>Message header</b>         |         |          |   |         |      |        |
|          | (UNH-UNT)  |              |      |                               | (99999) |          |   |         |      |        |
|          | UNH        |              | 0062 | Message reference number      | R       |          | <.>   |         | AN   | 1>14   |
|          | UNH        | <b>S009</b>  |      | <b>Message identifier</b>     | R       |          |   |         |      |        |
|          | UNH        | S009         | 0065 | Message type                  | R       |          | <b>DESADV</b> = Despatch Advice message       |         | AN   | 1>6    |
|          | UNH        | S009         | 0052 | Message version number        | R       |          | <b>D</b> = Draft version/UN/EDIFACT directory |         | AN   | 1>3    |
|          | UNH        | S009         | 0054 | Message release number        | R       |          | <b>01B</b> = Release 2001-B                   |         | AN   | 1>3    |
|          | UNH        | S009         | 0051 | Controlling agency            | R       |          | <b>UN</b> = UN/CEFACT                         |         | AN   | 1>2    |
|          | UNH        | S009         | 0057 | Association assigned code     | R       |          | <b>EAN007</b> = GS1 version control number    |         | AN   | 1>6    |
|          | UNH        |              | 0068 | Common access reference       | N       |          |   |         | AN   | 1>35   |
|          | UNH        | <b>S010</b>  |      | <b>Status of the transfer</b> | N       |          |   |         |      |        |
|          | UNH        | S010         | 0070 | Sequence of transfers         | N       |          |   |         | N    | 1>2    |
|          | UNH        | S010         | 0073 | First and last transfer       | N       |          |   |         | A    | 1>1    |

*This segment is used to head, identify and specify a message.*

Segment notes:

The use of this segment is mandatory.

DEs **0065**, **0052**, **0054**, and **0051**: Indicate that the message is an UNSM Despatch Advice based on the D.01B directory under the control of the United Nations.

| Segm.#       | Segm. | Composite DE                | DE   | DE name                                | MaxUs | Belgilux | Value   | Meaning | Type | Length |
|--------------|-------|-----------------------------|------|--|-------|----------|---|---------|------|--------|
| <b>2 BGM</b> |       | <b>Beginning of message</b> |      |  |       |          | <b>1 M</b>  |         |      |        |
|              | BGM   | <b>C002</b>                 |      | <b>Document/message name</b>           |       | R        |   |         |      |        |
|              | BGM   | C002                        | 1001 | Document name code                     |       | D        | <b>351</b> = Despatch advice                          |         | AN   | 1>3    |
|              |       |                             |      |  |       | D        | <b>YA6</b> = Pre-packed cross docking despatch advice |         |      |        |
|              | BGM   | C002                        | 1131 | Code list identification code          |       | N        |   |         | AN   | 1>17   |
|              | BGM   | C002                        | 3055 | Code list responsible agency code      |       | D        | <b>9</b> = GS1  |         | AN   | 1>3    |
|              | BGM   | C002                        | 1000 | Document name                          |       | N        |   |         | AN   | 1>35   |
|              | BGM   | <b>C106</b>                 |      | <b>Document/message identification</b> |       | R        |   |         |      |        |
|              | BGM   | C106                        | 1004 | Document identifier                    |       | R        | <..>  |         | AN   | 1>35   |
|              | BGM   | C106                        | 1056 | Version identifier                     |       | N        |   |         | AN   | 1>9    |
|              | BGM   | C106                        | 1060 | Revision identifier                    |       | N        |   |         | AN   | 1>6    |
|              | BGM   |                             | 1225 | Message function code                  |       | R        | <b>9</b> = Original                                   |         | AN   | 1>3    |
|              | BGM   |                             | 4343 | Response type code                     |       | N        |   |         | AN   | 1>3    |

*This segment is used to indicate the type and function of the message and to transmit the identifying number.*

Segment notes:

The use of this segment is mandatory.

- DE 1004: Although the **document number** may have up to 35 characters according to EANCOM recommendations, the best practice is to restrict it to **14 characters**.
- The best practice is to mention the same document number as the one on the paper delivery note.
- All references other than the document number (in DE 1004) are to be put in the RFF segment (#7).

Dependency notes:

- DE 1001: Always indicate it concerns a **despatch advice** (BGM+351), except in case of cross docking (only 1 ultimate destination) or transshipment ('n' ultimate destinations). In these cases you mention #2 BGM+YA6, together with #43 LOC+7 for transshipment or #9 NAD+UC for cross docking.
- DE 3055: Since document name code YA6 isn't an EDIFACT code, but a temporary GS1 code, DE 3055 should contain value 9.

| Segm.#       | Segm. | Composite DE            | DE   | DE name  | MaxUs | Belgilux | Value       | Meaning                        | Type | Length |  |
|--------------|-------|-------------------------|------|--|-------|----------|-------------|--------------------------------|------|--------|--|
| <b>3 DTM</b> |       | <b>Date/time/period</b> |      |  |       |          | <b>10 M</b> |                                |      |        |  |
|              | DTM   | <b>C507</b>             |      | <b>Date/time/period</b>                        |       | R        |             |                                |      |        |  |
|              | DTM   | C507                    | 2005 | Date or time or period function code qualifier |       | R        | <b>137</b>  | = Document/message date/time   | AN   | 1>3    |  |
|              |       |                         |      |  |       | R        | <b>2</b>    | = Requested delivery date/time |      |        |  |
|              |       |                         |      |  |       | D        | <b>17</b>   | = Estimated delivery date/time |      |        |  |
|              |       |                         |      |  |       | D        | <b>11</b>   | = Despatch date and/or time    |      |        |  |
|              | DTM   | C507                    | 2380 | Date or time or period value                   |       | R        | <..>        |                                | AN   | 1>24   |  |
|              | DTM   | C507                    | 2379 | Date or time or period format code             |       | D        | <b>203</b>  | = CCYYMMDDHHMM                 | AN   | 1>3    |  |
|              |       |                         |      |  |       | D        | <b>719</b>  | = CCYYMMDDHHMMCCYYMMDDHHMM     |      |        |  |

*This segment is used to specify the date of the Despatch Advice or any dates related to the delivery of goods.*

Dependency notes:

- DE 2005:

\* Always mention the document message date (DTM+137) and the requested delivery date (DTM+2).

\* Furthermore, the **estimated delivery date** (DTM+17) is always expected, except in case of backhauling.

\* In case of **backhauling** (meaning "the buyer picks up the goods"), the supplier may optionally mention 'the date on which the goods are expected to be shipped' (DTM+11).

Note however that a collection date should be arranged beforehand. Under no circumstance should the DESADV be used as a way to agree a pickup date.

- DE 2380: In case no detailed time information is available, fill in 0000 for the hour and minutes (HHMM).

- DE 2379: code 719 only can be optionally used for DESADVs that are linked to a home delivery order and only in DTM+2 and DTM+17 segments.

DTM+2:CCYYMMDDHHMMCCYYMMDDHHMM:719' can be used when the end consumer is able to select a time slot on the website of the retailer.

(for instance morning CCYYMMDD0800CCYYMMDD1200, afternoon CCYYMMDD1200CCYYMMDD1600 or evening CCYYMMDD1600CCYYMMDD2000)

DTM+17:CCYYMMDDHHMMCCYYMMDDHHMM:719' can be useful when there is no "track & trace" solution that allows the retailer to be informed when the goods will be delivered to its client.

In all other cases code 203 should be used.



| Segm.#     | Segm.          | Composite DE | DE   | DE name                      | MaxUs | Belgilux | Value   | Meaning | Type | Length |
|------------|----------------|--------------|------|------------------------------|-------|----------|---|---------|------|--------|
| <b>SG1</b> | <b>RFF-DTM</b> |              |      |                              | 10    |          |   |         |      |        |
|            | <b>7 RFF</b>   |              |      | <b>Reference</b>             | 1     | M        |   |         |      |        |
|            | RFF            | <b>C506</b>  |      | <b>Reference</b>             |       | R        |   |         |      |        |
|            | RFF            | C506         | 1153 | Reference code qualifier     |       | R        | <b>ON</b> = Order number (buyer)  |         | AN   | 1>3    |
|            |                |              |      |                              |       | D        | <b>AWT</b> = Administrative Reference Code  |         |      |        |
|            |                |              |      |                              |       | D        | <b>VN</b> = Order number (supplier)   |         |      |        |
|            |                |              |      |                              |       | O        | <b>AAO</b> = Consignee's shipment reference number (reservation number dock scheduling) |         |      |        |
|            | RFF            | C506         | 1154 | Reference identifier         |       | R        | <..>  |         | AN   | 1>70   |
|            | RFF            | C506         | 1156 | Document line identifier     |       | N        |   |         | AN   | 1>6    |
|            | RFF            | C506         | 4000 | Reference version identifier |       | N        |   |         | AN   | 1>35   |
|            | RFF            | C506         | 1060 | Revision identifier          |       | N        |   |         | AN   | 1>6    |

*This segment is used to provide references that apply to the whole transaction.*

Segment notes:

- Identification of the '**order number**' (ON) is ALWAYS required. In case no 'order number' is available, mention RFF+ON:NA' (NA meaning 'Not applicable').
- In case **several** orders are consolidated in one shipment (n ORDERS <> n DESADV), each order generates one despatch advice.
- If both 'order number' (ON) and '**delivery schedule number**' (AAO) are mentioned in the DESADV, they should be mentioned in separate segment lines.

Dependency notes:

- In case of **VMI**, the DESADV should also mention the number of the Order Proposal (RFF+VN).
- In case of **excise goods**, the 'Administrative Reference Code' (**AWT**) may be identified. If AWT is mentioned on both header and line level, then RFF+AWT on line level (#41) precedes the Administrative Reference Code on header level.

| Segm.#   | Segm.          | Composite DE | DE   | DE name  | MaxUs | Belgilux | Value      | Meaning               | Type | Length |
|--|----------------|--------------|------|--|-------|----------|------------|-----------------------|------|--------|
| <b>SG1</b>   | <b>RFF-DTM</b> |              |      |  |       |          | <b>10</b>  |                       |      |        |
|  | <b>8 DTM</b>   |              |      | <b>Date/time/period</b>                        |       |          | <b>1 C</b> |                       |      |        |
|  | DTM            | <b>C507</b>  |      | <b>Date/time/period</b>                        |       |          |            |                       |      |        |
|  | DTM            | C507         | 2005 | Date or time or period function code qualifier |       | R        | <b>171</b> | = Reference date/time | AN   | 1>3    |
|  | DTM            | C507         | 2380 | Date or time or period value                   |       | R        | <..>       |                       | AN   | 1>12   |
|  | DTM            | C507         | 2379 | Date or time or period format code             |       | R        | <b>203</b> | = CCYYMMDDHHMM        | AN   | 1>3    |
| <p><i>This segment is used to specify dates relating to the references given in the previous RFF segment.</i></p> <p><u>Segment notes:</u><br/> - Only use this segment in case there is <b>no referring order number</b> available (RFF+ON:NA'). In that case, try to mention any other details about the order e.g. its date.</p> <p><u>Dependency notes:</u><br/> - DE 2380: In case no detailed time information is available, fill in 0000 for the hour and minutes (HHMM).</p> |                |              |      |  |       |          |            |                       |      |        |

| Segm.#     | Segm.        | Composite DE | DE   | DE name   | MaxUs | Belgilux | Value          | Meaning   | Type | Length |
|------------|--------------|--------------|------|---|-------|----------|----------------|---|------|--------|
| <b>SG2</b> | <b>NAD</b>   |              |      |   |       |          | 99             |   |      |        |
|            | <b>9 NAD</b> |              |      | <b>Name and address</b>                         |       |          | 1 M            |   |      |        |
|            | NAD          |              | 3035 | Party function code qualifier                   | R     |          |                | <b>BY</b> = Buyer   | AN   | 1>3    |
|            |              |              |      |   | R     |          |                | <b>SU</b> = Supplier  |      |        |
|            |              |              |      |   | R     |          |                | <b>DP</b> = Delivery party (party to which goods should be delivered) |      |        |
|            |              |              |      |   | D     |          |                | <b>SF</b> = Ship from   |      |        |
|            |              |              |      |   | O     |          |                | <b>DEQ</b> = Shipper (party responsible for the shipment of goods)    |      |        |
|            |              |              |      |   | D     |          |                | <b>IIC</b> = Ultimate consignee                                       |      |        |
|            | NAD          | <b>C082</b>  |      | <b>Party identification details</b>             | R     |          |                |   |      |        |
|            | NAD          | C082         | 3039 | Party identifier                                | R     |          | <GLN>          |   | AN   | 1>13   |
|            | NAD          | C082         | 1131 | Code list identification code                   | N     |          |                |   | AN   | 1>17   |
|            | NAD          | C082         | 3055 | Code list responsible agency code               | R     |          | <b>9</b> = GS1 |   | AN   | 1>3    |
|            | NAD          | <b>C058</b>  |      | <b>Name and address</b>                         | N     |          |                |   |      |        |
|            | NAD          | C058         | 3124 | Name and address description                    | N     |          |                |   | AN   | 1>35   |
|            | NAD          | C058         | 3124 | Name and address description                    | N     |          |                |   | AN   | 1>35   |
|            | NAD          | C058         | 3124 | Name and address description                    | N     |          |                |   | AN   | 1>35   |
|            | NAD          | C058         | 3124 | Name and address description                    | N     |          |                |   | AN   | 1>35   |
|            | NAD          | C058         | 3124 | Name and address description                    | N     |          |                |   | AN   | 1>35   |
|            | NAD          | <b>C080</b>  |      | <b>Party name</b>                               | D     |          |                |   |      |        |
|            | NAD          | C080         | 3036 | Party name                                      | D     |          |                |   | AN   | 1>35   |
|            | NAD          | C080         | 3036 | Party name                                      | N     |          |                |   | AN   | 1>35   |
|            | NAD          | C080         | 3036 | Party name                                      | N     |          |                |   | AN   | 1>35   |
|            | NAD          | C080         | 3036 | Party name                                      | N     |          |                |   | AN   | 1>35   |
|            | NAD          | C080         | 3036 | Party name                                      | N     |          |                |   | AN   | 1>35   |
|            | NAD          | C080         | 3045 | Party name format code                          | N     |          |                |   | AN   | 1>3    |
|            | NAD          | <b>C059</b>  |      | <b>Street</b>                                   | D     |          |                |   |      |        |
|            | NAD          | C059         | 3042 | Street and number or post office box identifier | D     |          |                |   | AN   | 1>35   |
|            | NAD          | C059         | 3042 | Street and number or post office box identifier | N     |          |                |   | AN   | 1>35   |
|            | NAD          | C059         | 3042 | Street and number or post office box identifier | N     |          |                |   | AN   | 1>35   |
|            | NAD          | C059         | 3042 | Street and number or post office box identifier | N     |          |                |   | AN   | 1>35   |

| Segm.# | Segm. | Composite DE | DE   | DE name                           | MaxUs | Belgilux | Value | Meaning | Type | Length |
|--------|-------|--------------|------|-----------------------------------|-------|----------|-------|---------|------|--------|
|        | NAD   |              | 3164 | City name                         |       | D        |       |         | AN   | 1>35   |
|        | NAD   | C819         |      | Country sub-entity details        |       | N        |       |         |      |        |
|        | NAD   | C819         | 3229 | Country sub-entity name code      |       | N        |       |         | AN   | 1>9    |
|        | NAD   | C819         | 1131 | Code list identification code     |       | N        |       |         | AN   | 1>17   |
|        | NAD   | C819         | 3055 | Code list responsible agency code |       | N        |       |         | AN   | 1>3    |
|        | NAD   | C819         | 3228 | Country sub-entity name           |       | N        |       |         | AN   | 1>70   |
|        | NAD   |              | 3251 | Postal identification code        |       | D        |       |         | AN   | 1>17   |
|        | NAD   |              | 3207 | Country name code                 |       | D        |       |         | AN   | 1>3    |

*This segment is used to identify the trading partners involved in the Despatch Advice message.*

Segment notes:

The DESADV is restricted to “**1 delivery address only**”.

The GLN in NAD+DP is to be considered as the address where the goods will be delivered.

In case of direct shop delivery this is the GLN of the store. In case of cross docking or transshipment, it is the GLN of a DC.

In this last case, the GLN of the store for which the goods are ultimately intended must be mentioned:

\* for cross docking: NAD+UC

\* for transshipment: #43 LOC+7 segment that follows each #31 LIN segment

In case of home delivery the segments NAD+DP and NAD+UC are used to flag a specific subscenario:

|  | NAD+DP   | NAD+UC   |
|--|--|--|
| 1) delivery address = invoice address end consumer                           | Dummy GLN<br>0000000000000<br>No address in plain text | Dummy GLN<br>0000000000000<br>Address in plain text    |
| 2) delivery address ≠ invoice address end consumer (can be relative or work) | Dummy GLN<br>0000000000000<br>Address in plain text    | Dummy GLN<br>0000000000000<br>Address in plain text    |
| 3) delivery address is a shop  | Real GLN shop or DC<br><br>No address in plain text    | Dummy GLN<br>0000000000000<br>No address in plain text |

| Segm.#  | Segm. | Composite DE | DE | DE name | MaxUs | Belgilux | Value | Meaning | Type | Length |
|---|-------|--------------|----|---------|-------|----------|-------|---------|------|--------|
| <u>Dependency notes:</u>  |       |              |    |         |       |          |       |         |      |        |
| - DE 3035:  |       |              |    |         |       |          |       |         |      |        |
| * Code values <b>"SU"</b> (supplier) and <b>"DP"</b> (destination party) of goods and services are always mandatory, even if the GLN of the buyer and the delivery party are the same. Also, in case of home delivery NAD+DP will be used. When the end consumer needs to pick up the goods in a shop, the GLN of the shop will be used in DE 3039. When the goods will be delivered at home, at the house of a relative or at the workplace, the dummy GLN 0000000000000 will be used in DE 3039.            |       |              |    |         |       |          |       |         |      |        |
| * Code value <b>"SF"</b> (ship from) should be used in 2 cases:   |       |              |    |         |       |          |       |         |      |        |
| 1) In case of a <b>platform order</b> when the goods are shipped from the site of the logistic service provider. In that case, the GLN of the logistic service provider is to be specified in NAD+SF.   |       |              |    |         |       |          |       |         |      |        |
| 2) In case of <b>backhauling</b> when the buyer picks up the goods, the GLN of the pickup address is to be specified in NAD+SF.<br>Optionally, the supplier may add the explicit mention that 'the buyer picks up the goods' via #14 TOD+4 (=collected by customer) and 'the date on which the goods are expected to be shipped' via #3 DTM+11, despatch date.<br>Note that a collection date should be arranged beforehand. Under no circumstance should the DESADV be used as a way to agree a pickup date. |       |              |    |         |       |          |       |         |      |        |
| * Code value <b>"UC"</b> (ultimate consignee) should be used in 2 cases:  |       |              |    |         |       |          |       |         |      |        |
| 1) in case of cross docking; to specify '1' ultimate destination. When there are 'n' ultimate destinations however (also called 'transshipment'), use #43 LOC.  |       |              |    |         |       |          |       |         |      |        |
| 2) in case of home delivery: to specify that the ultimate consignee is an end consumer. This is indicated with the dummy GLN 0000000000000 in DE 3039.  |       |              |    |         |       |          |       |         |      |        |
| - DE 3036, 3042, 3164, 3251 and 3207: this DE can only be used in:  |       |              |    |         |       |          |       |         |      |        |
| * NAD+DP: in case of home delivery if the delivery address is not the same as the invoice address of the end consumer, these DEs should be used to specify the alternative delivery address. This can be the address of a relative or the company where the end consumer works. The DEs shouldn't be used when the end consumer wants the goods to be delivered in a store. Since that store has a real GLN and the address is exchanged via master data.   |       |              |    |         |       |          |       |         |      |        |
| * NAD+UC: in case of home delivery order this DEs should be used to specify the address of the end consumer, except in the case he chooses that the goods should be delivered in a shop.  |       |              |    |         |       |          |       |         |      |        |

| Segm.#     | Segm.      | Composite DE | DE   | DE name                                      | MaxUs | Belgilux | Value | Meaning                          | Type | Length |
|------------|------------|--------------|------|--|-------|----------|-------|----------------------------------|------|--------|
| <b>SG5</b> | <b>TOD</b> |              |      |  |       |          | 10    |                                  |      |        |
|            | <b>14</b>  |              |      | <b>Terms of delivery or transport</b>        |       |          | 1 C   |                                  |      |        |
|            | TOD        |              | 4055 | Delivery or transport terms function code    |       | R        |       | <b>4</b> = Collected by customer | AN   | 1>3    |
|            | TOD        |              | 4215 | Transport charges payment method code        |       | N        |       |                                  | AN   | 1>3    |
|            | TOD        | <b>C100</b>  |      | <b>Terms of delivery or transport</b>        |       | N        |       |                                  |      |        |
|            | TOD        | C100         | 4053 | Delivery or transport terms description code |       | N        |       |                                  | AN   | 1>3    |
|            | TOD        | C100         | 1131 | Code list identification code                |       | N        |       |                                  | AN   | 1>17   |
|            | TOD        | C100         | 3055 | Code list responsible agency code            |       | N        |       |                                  | AN   | 1>3    |
|            | TOD        | C100         | 4052 | Delivery or transport terms description      |       | N        |       |                                  | AN   | 1>70   |
|            | TOD        | C100         | 4052 | Delivery or transport terms description      |       | N        |       |                                  | AN   | 1>70   |

*This segment is used to specify the terms of delivery for the despatch advice.*

Segment notes:

In case of backhauling (meaning 'the buyer picks up the goods'), the GLN of the pickup address is to be specified in #9 NAD+SF (ship from).

**Optionally**, the supplier may add the explicit mention that 'the buyer picks up the goods' (via #14 TOD+4)

and 'the date on which the goods are expected to be shipped' (via #3 DTM+11, despatch date).

Note that a collection date should be arranged beforehand. Under no circumstance should the DESADV be used as a way to agree a pickup date.

| Segm.#      | Segm.                | Composite DE | DE   | DE name                                  | MaxUs | Belgilux | Value       | Meaning   | Type | Length |
|-------------|----------------------|--------------|------|--|-------|----------|-------------|---|------|--------|
| <b>SG10</b> | <b>CPS-SG11-SG17</b> |              |      |  |       |          | <b>9999</b> |   |      |        |
|             | <b>22 CPS</b>        |              |      | <b>Consignment packing sequence</b>      |       |          | <b>1 M</b>  |   |      |        |
|             | CPS                  |              | 7164 | Hierarchical structure level identifier  |       | R        | <..>        | Sequence (1, 2, 3, 4 ...)   | AN   | 1>35   |
|             | CPS                  |              | 7166 | Hierarchical structure parent identifier |       | D        | <..>        | Packing level - refers to the sequence n° of the packing being described. | AN   | 1>35   |
|             | CPS                  |              | 7075 | Packaging level code                     |       | C        | 4           | No packaging hierarchy  | AN   | 1>3    |

*This segment is used to identify the sequence and hierarchy in which packing of the consignment occurs.*

Segment notes:

- This segment allows to illustrate **how the consignment is (hierarchically) structured**. Based on the illustration below, the DESADV can thus specify that
  - (1) the truck is loaded with 4 logistic carriers.
  - (2) of which the first logistic carrier is a standard pallet with dimensions 80 x 120 cm of which the specific type (like CHEP, EPAL, ...) is identified by nGRAI X it carries 40 cartons that are trade units whose GTIN is mentioned in the corresponding LIN segment,
  - (3) the second packing is a standard pallet with dimensions 80 x 120 cm of which the specific type is identified by nGRAI X
  - (4) carrying 14 crates of which the specific type is identified by nGRAI Y, which contain in total 28 units of the GTIN mentioned in the LIN segment.
  - (5) the third packing is a standard pallet with dimensions 80 x 120 cm of which the specific type is identified by nGRAI X carrying 40 cartons,
  - (6) and so is the fourth packing.

| Segm.#                        | Segm.       | Composite DE | DE | DE name   | MaxUs | Belgilux | Value | Meaning | Type | Length |
|-------------------------------|-------------|--------------|----|---|-------|----------|-------|---------|------|--------|
| <b>DESADV extract example</b> |             |              |    |   |       |          |       |         |      |        |
| (1)                           | CPS+1'      |              |    | General/entire consignment                                      |       |          |       |         |      |        |
|                               | PAC+4'      |              |    | There are 4 (loaded) logistic carriers                          |       |          |       |         |      |        |
| (2)                           | CPS+2+1'    |              |    | The first packing (pallet level) will be described              |       |          |       |         |      |        |
|                               | PAC+1++201' |              |    | It concerns a standard pallet with dimensions 80 X 120 cm       |       |          |       |         |      |        |
|                               | ...         |              |    | Description of the pallet composition (SSCC, nGRAI and content) |       |          |       |         |      |        |
| (3)                           | CPS+3+1'    |              |    | The next packing (still on pallet level) will be described      |       |          |       |         |      |        |
|                               | PAC+1++201' |              |    | It concerns a standard pallet 80x120 cm                         |       |          |       |         |      |        |
|                               | ...         |              |    | Description of its SSCC and nGRAI                               |       |          |       |         |      |        |
| (4)                           | CPS+4+3'    |              |    | The packing within the pallet (crate level) will be described   |       |          |       |         |      |        |
|                               | PAC+14++CR' |              |    | It concerns 14 crates   |       |          |       |         |      |        |
|                               | ...         |              |    | Description of its nGRAI and the content of the crates          |       |          |       |         |      |        |
| (5)                           | CPS+5+1'    |              |    |   |       |          |       |         |      |        |
| (6)                           | CPS+6+1'    |              |    |   |       |          |       |         |      |        |

- **DE 7166** defines the packing level (e.g. pallet or crate level). It allows to establish the hierarchical relationships in a top-down structure.  
 The first CPS segment however (CPS+1') does not indicate a packing level because it refers to the general/entire consignment.

- When to add a CPS segment? Only **relevant** if the packing needs to be distinguished from one another, e.g. because it's identified by SSCC, or because the pallet type/ crate type is to be identified for RTI management (because it's charged with a deposit or it has to return).

- Only reusable packaging should be described. Disposable packaging like cardboard pallet boxes or outer carton cases shouldn't be described.

For more examples, see the annex 'DESADV examples'.

Dependency notes:

- DE 7166: each CPS segment should be linked to a preceding CPS segment, except for CPS+1
- DE 7075: this DE with code 4 can only be used when a supplier gets the permission to send a non-hierarchical description of a consignment. CPS+1++4' means that only the number of logistic carriers and articles in the consignment are described, without indication which article is located on which logistic carrier. In other words: no logistic units should be described. (For an example, check the annex 'DESADV examples')



| Segm.#      | Segm.                | Composite DE | DE   | DE name   | MaxUs    | Belgilux | Value      | Meaning  | Type | Length |
|-------------|----------------------|--------------|------|---|----------|----------|------------|--|------|--------|
| <b>SG10</b> | <b>CPS-SG11-SG17</b> |              |      |   | 9999     |          |            |  |      |        |
| <b>SG11</b> | <b>PAC-MEA-SG13</b>  |              |      |   | 9999     |          |            |  |      |        |
| <b>23</b>   | <b>PAC</b>           |              |      | <b>Package</b>                                      | <b>1</b> | <b>M</b> |            |  |      |        |
|             | PAC                  |              | 7224 | Package quantity                                    |          | R        | <..>       | To specify the number of packages  | N    | 1>8    |
|             | PAC                  | <b>C531</b>  |      | <b>Packaging details</b>                            |          | N        |            |  |      |        |
|             | PAC                  | C531         | 7075 | Packaging level code                                |          | N        |            |  | AN   | 1>3    |
|             | PAC                  | C531         | 7233 | Packaging related description code                  |          | N        |            |  | AN   | 1>3    |
|             | PAC                  | C531         | 7073 | Packaging terms and conditions code                 |          | N        |            |  | AN   | 1>3    |
|             | PAC                  | <b>C202</b>  |      | <b>Package type</b>                                 |          | D        |            |  |      |        |
|             | PAC                  | C202         | 7065 | Package type description code                       |          | R        | <RTI list> | Select the corresponding package type description code from the RTI list | AN   | 1>17   |
|             | PAC                  | C202         | 1131 | Code list identification code                       |          | N        |            |  | AN   | 1>17   |
|             | PAC                  | C202         | 3055 | Code list responsible agency code                   |          | N        |            |  | AN   | 1>3    |
|             | PAC                  | C202         | 7064 | Type of packages                                    |          | N        |            |  | AN   | 1>35   |
|             | PAC                  | <b>C402</b>  |      | <b>Package type identification</b>                  |          | N        |            |  |      |        |
|             | PAC                  | C402         | 7077 | Description format code                             |          | N        |            |  | AN   | 1>3    |
|             | PAC                  | C402         | 7064 | Type of packages                                    |          | N        |            |  | AN   | 1>35   |
|             | PAC                  | C402         | 7143 | Item type identification code                       |          | N        |            |  | AN   | 1>3    |
|             | PAC                  | C402         | 7064 | Type of packages                                    |          | N        |            |  | AN   | 1>35   |
|             | PAC                  | C402         | 7143 | Item type identification code                       |          | N        |            |  | AN   | 1>3    |
|             | PAC                  | <b>C532</b>  |      | <b>Returnable package details</b>                   |          | N        |            |  |      |        |
|             | PAC                  | C532         | 8395 | Returnable package freight payment responsibility c |          | N        |            |  | AN   | 1>3    |
|             | PAC                  | C532         | 8393 | Returnable package load contents code               |          | N        |            |  | AN   | 1>3    |

| Segm.#   | Segm. | Composite DE | DE | DE name | MaxUs | Belgilux | Value | Meaning | Type | Length |
|--|-------|--------------|----|---------|-------|----------|-------|---------|------|--------|
| <p><i>This segment is used to identify the total number of packages per hierarchical level (identified in the CPS segment (#22)) in the shipment. The contents of each package is subsequently described in the following LIN segment (#31).</i></p> <p><u>Segment notes:</u></p> <ul style="list-style-type: none"> <li>- Each CPS-segment which indicates the level of the packaging within the entire consignment, should be followed by a PAC-segment that describes the number and the type of packaging.</li> <li>- Difference between "package type description codes" and "GRAIs" used to identify logistic carriers/RTIs: <ul style="list-style-type: none"> <li>* <b>Package types descriptions</b> are considered to be generic and identify a class of logistic carriers. One package type description code can refer to several logistic carriers that have the same specifications (like dimensions). This package type description needs to be described via this segment #23 PAC.</li> <li>* <b>GRAIs</b> are considered to identify specific logistic carriers/RTI (like a GTIN identifies a specific trade unit of a good). It means that the logistic carrier has a kind of "product name" and is owned by specific party. GRAI can be described using #27 PCI+41G' and #30 GIN+DA+&lt;nGRAI&gt;'.</li> </ul> </li> <li>- Both package type description codes and GRAIs should be mentioned in the DESADV.</li> <li>- The RTI list can be downloaded over here: <a href="https://www.gs1.nl/sites/default/files/so_emballagecodes_gs1beneluxrtiist.xlsx">https://www.gs1.nl/sites/default/files/so_emballagecodes_gs1beneluxrtiist.xlsx</a></li> <li>- Only reusable packaging should be described. Disposable package like a carton box on a pallet (that is thrown away once the good are put on the shelves) should <u>not</u> be described.</li> <li>- For <b>self-assembled trolleys</b> (TRE) that can only be identified by (the nGRAI of) its composing parts (e.g. wheels, shelves), check the annex 'DESADV examples'.</li> </ul> <p><u>Dependency notes:</u></p> <p>DE7065:</p> <ul style="list-style-type: none"> <li>- this data element should always be used, except when the PAC-segment is preceded by a CPS+1-segment, since one consignment can contain several types of packaging.</li> <li>- For plastic crates, the best practice is to mention CR (crates) instead of BX (boxes).</li> </ul> |       |              |    |         |       |          |       |         |      |        |

| Segm.#      | Segm.                | Composite DE | DE   | DE name                            | MaxUs     | Belgilux | Value      | Meaning  | Type | Length |
|-------------|----------------------|--------------|------|------------------------------------|-----------|----------|------------|--|------|--------|
| <b>SG10</b> | <b>CPS-SG11-SG17</b> |              |      |                                    | 9999      |          |            |  |      |        |
| <b>SG11</b> | <b>PAC-MEA-SG13</b>  |              |      |                                    | 9999      |          |            |  |      |        |
| <b>24</b>   | <b>MEA</b>           |              |      | <b>Measurements</b>                | <b>10</b> | <b>C</b> |            |  |      |        |
|             | MEA                  |              | 6311 | Measurement purpose code qualifier |           | R        | <b>PD</b>  | = Physical dimensions  | AN   | 1>3    |
|             | MEA                  | <b>C502</b>  |      | <b>Measurement details</b>         |           | R        |            |  |      |        |
|             | MEA                  | C502         | 6313 | Measured attribute code            |           | D        | <b>AAC</b> | = Total net weight (Total weight of goods excluding packing) | AN   | 1>3    |
|             |                      |              |      |                                    |           | O        | <b>T</b>   | = Tare weight (Weight excluding goods and loose accessories) |      |        |
|             | MEA                  | C502         | 6321 | Measurement significance code      |           | N        |            |  | AN   | 1>3    |
|             | MEA                  | C502         | 6155 | Non-discrete measurement name code |           | N        |            |  | AN   | 1>17   |
|             | MEA                  | C502         | 6154 | Non-discrete measurement name      |           | N        |            |  | AN   | 1>70   |
|             | MEA                  | <b>C174</b>  |      | <b>Value/range</b>                 |           | R        |            |  |      |        |
|             | MEA                  | C174         | 6411 | Measurement unit code              |           | D        | <b>KGM</b> | = Kilogram   | AN   | 1>3    |
|             |                      |              |      |                                    |           | D        | <b>LTR</b> | = Liter  |      |        |
|             |                      |              |      |                                    |           | D        | <b>MTR</b> | = Meter  |      |        |
|             | MEA                  | C174         | 6314 | Measurement value                  |           | R        | <..>       | Max 3 digits after the decimal point.                        | AN   | 1>18   |
|             | MEA                  | C174         | 6162 | Range minimum value                |           | N        |            |  | N    | 1>18   |
|             | MEA                  | C174         | 6152 | Range maximum value                |           | N        |            |  | N    | 1>18   |
|             | MEA                  | C174         | 6432 | Significant digits quantity        |           | N        |            |  | N    | 1>2    |
|             | MEA                  |              | 7383 | Surface or layer code              |           | N        |            |  | AN   | 1>3    |

*This segment is used to provide measurements relevant to the packaging unit and level described in the PAC segment.*

**Segment notes:**

- When indication of weight is relevant, the total **net weight** (AAC) is required on line level (#34 MEA), and **optional** at logistic unit level (#24 MEA). If weight is mentioned on both levels, the net weight on line level (#34) precedes the net weight on logistic unit level (#24).
- The weight should be mentioned per logistic unit and can optionally be mentioned for the entire consignment.

**Dependency notes:**

- DE 6313: Only mention '**tare weight**' (T) in case of a 'wooden pallet carrying variable weight products' and provided it's **bilaterally agreed beforehand**. At goods reception, when the logistic unit is weighed, the retailer may need to know the tare weight to deduct from the gross weight, in order to verify the net weight.

| Segm.#  | Segm.                | Composite DE | DE   | DE name                                      | MaxUs    | Belgilux    | Value  | Meaning | Type | Length |
|---|----------------------|--------------|------|--|----------|-------------|--|---------|------|--------|
| <b>SG10</b>   | <b>CPS-SG11-SG17</b> |              |      |  | 9999     |             |  |         |      |        |
| <b>SG11</b>   | <b>PAC-MEA-SG13</b>  |              |      |  | 9999     |             |  |         |      |        |
| <b>SG13</b>   | <b>PCI-SG15</b>      |              |      |  | 1000     |             |  |         |      |        |
| <b>27</b>   | <b>PCI</b>           |              |      | <b>Package identification</b>                | <b>1</b> | <b>C</b>    |  |         |      |        |
|   | PCI                  |              | 4233 | Marking instructions code                    |          | D<br>R<br>D | <b>33E</b> = Marked with SSCC<br><b>41G</b> = Marked with GS1 GRAI<br>16 = Buyer's instructions (only for bulk meat) |         | AN   | 1>3    |
|   | PCI                  | <b>C210</b>  |      | <b>Marks &amp; labels</b>                    |          | D           |  |         |      |        |
|   | PCI                  | C210         | 7102 | Shipping marks description                   |          | D           | <...> (E.g. For bulk meat: 1A, 1B, 1C, 1D, 2A, ...)  |         | AN   | 1>35   |
|   | PCI                  | C210         | 7102 | Shipping marks description                   |          | N           |  |         | AN   | 1>35   |
|   | PCI                  | C210         | 7102 | Shipping marks description                   |          | N           |  |         | AN   | 1>35   |
|   | PCI                  | C210         | 7102 | Shipping marks description                   |          | N           |  |         | AN   | 1>35   |
|   | PCI                  | C210         | 7102 | Shipping marks description                   |          | N           |  |         | AN   | 1>35   |
|   | PCI                  | C210         | 7102 | Shipping marks description                   |          | N           |  |         | AN   | 1>35   |
|   | PCI                  | C210         | 7102 | Shipping marks description                   |          | N           |  |         | AN   | 1>35   |
|   | PCI                  | C210         | 7102 | Shipping marks description                   |          | N           |  |         | AN   | 1>35   |
|   | PCI                  | C210         | 7102 | Shipping marks description                   |          | N           |  |         | AN   | 1>35   |
|   | PCI                  |              | 8275 | Container or package contents indicator code |          | N           |  |         | AN   | 1>3    |
|   | PCI                  | <b>C827</b>  |      | <b>Type of marking</b>                       |          | N           |  |         |      |        |
|   | PCI                  | C827         | 7511 | Marking type code                            |          | N           |  |         | AN   | 1>3    |
|   | PCI                  | C827         | 1131 | Code list identification code                |          | N           |  |         | AN   | 1>17   |
|   | PCI                  | C827         | 3055 | Code list responsible agency code            |          | N           |  |         | AN   | 1>3    |
| <p><i>This segment is used to provide markings and labels information relevant to the packaging unit and level identified in the PAC segment (#23).</i></p> |                      |              |      |  |          |             |  |         |      |        |

| Segm.#   | Segm. | Composite DE | DE | DE name | MaxUs | Belgilux | Value | Meaning | Type | Length |
|--|-------|--------------|----|---------|-------|----------|-------|---------|------|--------|
| <p><u>Segment notes:</u></p> <ul style="list-style-type: none"> <li>- This segment should be used in combination with #30 GIN to describe: <ul style="list-style-type: none"> <li>* <b>logistic units</b> that are uniquely identified by a SSCC</li> <li>* <b>logistic carriers/RTIs</b> that are uniquely identified by a GRAI</li> </ul> </li> </ul> <p>It can also be used for a specific business case for bulk meat.</p> <ul style="list-style-type: none"> <li>- Logistic units are the combination of the logistic carriers that are indicated on the highest level of the consignment (PAC segment that follows after CPS+1) that actually touch the ground and are manipulated by spikes and pallet trucks + the articles that are stacked on it. Hence there should be a PCI+33E segment that mentions the SSCC after every PAC segment that comes in its turn after a CPS segment with "hierarchical structure parent identifier" 1. (for instance CPS+2+1, CPS+4+1, ...)</li> <li>- In case of <b>RTI management</b>, identify the (type of) asset (e.g. pallet / crate / other) with a nGRAI (for the type of asset) or sGRAI (for serialized RTI): see 'DESADV examples' for more information.</li> <li>- This segment isn't used in case of a non-hierarchical description of a consignment (indicated with CPS+1++4')</li> </ul> <p><u>Dependency notes:</u></p> <ul style="list-style-type: none"> <li>- DE 4233: <ul style="list-style-type: none"> <li>* Code 33E: should be used in each PCI segment that follows a PAC segment that describes a logistic unit.</li> <li>* Code 16: only use for the specific business case (described below) and provided it's bilaterally agreed beforehand. This is for meat suppliers who deliver 'bulk meat that doesn't fit in/on 1 asset (/logistic carrier/RTI e.g. crate) but that has to stay together (when delivered to the stores). PCI+16 assigns an <b>additional identifier</b> to each serialized crate, which implies that certain crates are <u>connected</u> to one another (PCI+16+1A; PCI+16+1B;...).</li> <li>For more information, see 'DESADV examples'.</li> </ul> </li> <li>- DE 7102: only used when DE 4233 contains code 16.</li> </ul> |       |              |    |         |       |          |       |         |      |        |

| Segm.#      | Segm.                | Composite DE | DE   | DE name                              | MaxUs    | Belgilux | Value   | Meaning | Type | Length |
|-------------|----------------------|--------------|------|--------------------------------------|----------|----------|---|---------|------|--------|
| <b>SG10</b> | <b>CPS-SG11-SG17</b> |              |      |                                      | 9999     |          |   |         |      |        |
| <b>SG11</b> | <b>PAC-MEA-SG13</b>  |              |      |                                      | 9999     |          |   |         |      |        |
| <b>SG13</b> | <b>PCI-SG15</b>      |              |      |                                      | 1000     |          |   |         |      |        |
| <b>SG15</b> | <b>GIN</b>           |              |      |                                      | 99       |          |   |         |      |        |
| <b>30</b>   | <b>GIN</b>           |              |      | <b>Goods identity number</b>         | <b>1</b> | <b>C</b> |   |         |      |        |
|             | GIN                  |              | 7405 | Object identification code qualifier |          | D        | <b>BJ</b> = Serial shipping container code  |         | AN   | 1>3    |
|             |                      |              |      |                                      |          | D        | <b>DA</b> = GS1 Global Returnable Asset identifier, without serial number (for nGRAI) |         |      |        |
|             |                      |              |      |                                      |          | D        | <b>DB</b> = GS1 Global Returnable Asset identifier, with serial number (for sGRAI)    |         |      |        |
|             | GIN                  | <b>C208</b>  |      | <b>Identity number range</b>         |          | R        |   |         |      |        |
|             | GIN                  | C208         | 7402 | Object identifier                    |          | R        | <..>  |         | AN   | 1>35   |
|             | GIN                  | C208         | 7402 | Object identifier                    |          | N        |   |         | AN   | 1>35   |
|             | GIN                  | <b>C208</b>  |      | <b>Identity number range</b>         |          | N        |   |         |      |        |
|             | GIN                  | C208         | 7402 | Object identifier                    |          | N        |   |         | AN   | 1>35   |
|             | GIN                  | C208         | 7402 | Object identifier                    |          | N        |   |         | AN   | 1>35   |
|             | GIN                  | <b>C208</b>  |      | <b>Identity number range</b>         |          | N        |   |         |      |        |
|             | GIN                  | C208         | 7402 | Object identifier                    |          | N        |   |         | AN   | 1>35   |
|             | GIN                  | C208         | 7402 | Object identifier                    |          | N        |   |         | AN   | 1>35   |
|             | GIN                  | <b>C208</b>  |      | <b>Identity number range</b>         |          | N        |   |         |      |        |
|             | GIN                  | C208         | 7402 | Object identifier                    |          | N        |   |         | AN   | 1>35   |
|             | GIN                  | C208         | 7402 | Object identifier                    |          | N        |   |         | AN   | 1>35   |
|             | GIN                  | <b>C208</b>  |      | <b>Identity number range</b>         |          | N        |   |         |      |        |
|             | GIN                  | C208         | 7402 | Object identifier                    |          | N        |   |         | AN   | 1>35   |
|             | GIN                  | C208         | 7402 | Object identifier                    |          | N        |   |         | AN   | 1>35   |

*This segment is used to provide identification numbers relevant to the packaging unit and level identified in the PAC segment (#23).*

| Segm.#  | Segm.             | Composite DE      | DE | DE name | MaxUs | Belgilux | Value | Meaning | Type | Length |                      |                   |                   |  |         |     |          |  |         |     |    |  |
|---|-------------------|-------------------|----|---------|-------|----------|-------|---------|------|--------|----------------------|-------------------|-------------------|--|---------|-----|----------|--|---------|-----|----|--|
| <p><u>Segment notes:</u></p> <ul style="list-style-type: none"> <li>- Each #27 PCI segment that indicates that a logistic unit or a logistic carrier/RTI is identified by a SSCC or a GRAI respectively, should be followed by a GIN segment that contains that identifier.</li> <li>- If the segment is used to mention a nGRAI, select the GRAI from the RTI list.<br/>The list can be downloaded over here: <a href="https://www.gs1.nl/sites/default/files/so_emballagecodes_gs1beneluxrtiist.xlsx">https://www.gs1.nl/sites/default/files/so_emballagecodes_gs1beneluxrtiist.xlsx</a></li> <li>- This segment isn't used in case of a non-hierarchical description of a consignment (indicated with CPS+1++4')</li> </ul> <p><u>Dependency notes:</u></p> <ul style="list-style-type: none"> <li>- DE 7405: The different code values are univocally linked with DE 4233 of the PCI segment (#27) as follows: <table border="0"> <tr> <td><u>marked with :</u></td> <td><u>PCI (#27),</u></td> <td><u>GIN (#30):</u></td> <td></td> </tr> <tr> <td>- GRAI:</td> <td>41G</td> <td>DA or DB</td> <td></td> </tr> <tr> <td>- SSCC:</td> <td>33E</td> <td>BJ</td> <td></td> </tr> </table> </li> </ul> |                   |                   |    |         |       |          |       |         |      |        | <u>marked with :</u> | <u>PCI (#27),</u> | <u>GIN (#30):</u> |  | - GRAI: | 41G | DA or DB |  | - SSCC: | 33E | BJ |  |
| <u>marked with :</u>  | <u>PCI (#27),</u> | <u>GIN (#30):</u> |    |         |       |          |       |         |      |        |                      |                   |                   |  |         |     |          |  |         |     |    |  |
| - GRAI:   | 41G               | DA or DB          |    |         |       |          |       |         |      |        |                      |                   |                   |  |         |     |          |  |         |     |    |  |
| - SSCC:   | 33E               | BJ                |    |         |       |          |       |         |      |        |                      |                   |                   |  |         |     |          |  |         |     |    |  |

| Segm.# | Segm.                                 | Composite DE | DE   | DE name                                      | MaxUs | Belgilux | Value                                 | Meaning | Type | Length |
|--------|---------------------------------------|--------------|------|--|-------|----------|---------------------------------------|---------|------|--------|
| SG10   | CPS-SG11-SG17                         |              |      |  | 9999  |          |                                       |         |      |        |
| SG17   | LIN-PIA-IMD-MEA-QTY-DTM-FTX-SG18-SG20 |              |      |  | 9999  |          |                                       |         |      |        |
| 31     | LIN                                   |              |      | Line item                                    |       | 1        | M                                     |         |      |        |
|        | LIN                                   |              | 1082 | Line item identifier                         |       | R        | <..>                                  |         | AN   | 1>6    |
|        | LIN                                   |              | 1229 | Action request/notification description code |       | N        |                                       |         | AN   | 1>3    |
|        | LIN                                   | <b>C212</b>  |      | <b>Item number identification</b>            |       | R        |                                       |         |      |        |
|        | LIN                                   | C212         | 7140 | Item identifier                              |       | D        | <GTIN>                                |         | AN   | 1>14   |
|        | LIN                                   | C212         | 7143 | Item type identification code                |       | D        | <b>SRV</b> = Global trade item number |         | AN   | 1>3    |
|        | LIN                                   | C212         | 1131 | Code list identification code                |       | N        |                                       |         | AN   | 1>17   |
|        | LIN                                   | C212         | 3055 | Code list responsible agency code            |       | N        |                                       |         | AN   | 1>3    |
|        | LIN                                   | <b>C829</b>  |      | <b>Sub-line information</b>                  |       | N        |                                       |         |      |        |
|        | LIN                                   | C829         | 5495 | Sub-line indicator code                      |       | N        |                                       |         | AN   | 1>3    |
|        | LIN                                   | C829         | 1082 | Line item identifier                         |       | N        |                                       |         | AN   | 1>6    |
|        | LIN                                   |              | 1222 | Configuration level number                   |       | N        |                                       |         | N    | 1>2    |
|        | LIN                                   |              | 7083 | Configuration operation code                 |       | N        |                                       |         | AN   | 1>3    |

*This segment is used to identify the line item being despatched.*

Segment notes:

- Ideally, the LIN segment specifies the 'GTIN of the **trade item**' (e.g. a box, carton, pallet or any other unit which is commercially agreed to be ordered and invoiced). Furthermore, the best practice is to take over the GTIN from the ORDERS message (for direct matching).
- In case of 'goods in **consignment**', there is no specific/additional indication.  
(= goods that are delivered into stock with agreement on payment when goods are sold out of this stock).

Dependency notes:

- DE 7140: The LIN segment **always** expects a GTIN (Global Trade Item Number), except in the case of deliberately delivering empty RTI. In the latter case, only LIN+<line item identifier>' is mentioned. Such a LIN segment can only be used after the CPS+1 segment and the accompanying PAC segment. For more details, see the annex 'DESADV examples'.
- DE 7143: if DE 7140 is used and thus contains a GTIN, value SRV has to be mentioned. If DE 7140 isn't used, this DE 7143 isn't used either.



| Segm.#      | Segm.  | Composite DE | DE | DE name                      | MaxUs | Belgilux | Value | Meaning          | Type | Length |
|-------------|--|--------------|----|------------------------------|-------|----------|-------|------------------|------|--------|
| <b>SG10</b> | <b>CPS-SG11-SG17</b>                         |              |    |                              | 9999  |          |       |                  |      |        |
| <b>SG17</b> | <b>LIN-PIA-IMD-MEA-QTY-DTM-FTX-SG18-SG20</b> |              |    |                              | 9999  |          |       |                  |      |        |
|             | <b>32 PIA</b>                                |              |    | <b>Additional product id</b> | 10    | C        |       | <b>Empty RTI</b> |      |        |

*For easier reading, the PIA segment is split up in separate pages to indicate the working method for 'empty RTI' (here).  
Batch number and Ear-tag number can be found on the next page.*

|     |             |      |                                   |   |         |   |    |      |
|-----|-------------|------|-----------------------------------|---|---------|---|----|------|
| PIA |             | 4347 | Product identifier code qualifier | R |         | <b>5</b> = Product identification                                   | AN | 1>3  |
| PIA | <b>C212</b> |      | <b>Item number identification</b> | R |         |   |    |      |
| PIA | C212        | 7140 | Item identifier                   | R | <nGRAI> |   | AN | 1>35 |
| PIA | C212        | 7143 | Item type identification code     | R |         | <b>SUE</b> = GS1 Global Returnable Asset Identifier, non-serialized | AN | 1>3  |
| PIA | C212        | 1131 | Code list identification code     | N |         |   | AN | 1>17 |
| PIA | C212        | 3055 | Code list responsible agency code | N |         |   | AN | 1>3  |
| PIA | <b>C212</b> |      | <b>Item number identification</b> | N |         |   |    |      |
| PIA | C212        | 7140 | Item identifier                   | N |         |   | AN | 1>35 |
| PIA | C212        | 7143 | Item type identification code     | N |         |   | AN | 1>3  |
| PIA | C212        | 1131 | Code list identification code     | N |         |   | AN | 1>17 |
| PIA | C212        | 3055 | Code list responsible agency code | N |         |   | AN | 1>3  |
| PIA | <b>C212</b> |      | <b>Item number identification</b> | N |         |   |    |      |
| PIA | C212        | 7140 | Item identifier                   | N |         |   | AN | 1>35 |
| PIA | C212        | 7143 | Item type identification code     | N |         |   | AN | 1>3  |
| PIA | C212        | 1131 | Code list identification code     | N |         |   | AN | 1>17 |
| PIA | C212        | 3055 | Code list responsible agency code | N |         |   | AN | 1>3  |

*This segment is used to provide additional identification for the current line item.*

| Segm.#   | Segm. | Composite DE | DE | DE name | MaxUs | Belgilux | Value | Meaning | Type | Length |
|--|-------|--------------|----|---------|-------|----------|-------|---------|------|--------|
| <u>Segment notes:</u> <ul style="list-style-type: none"><li>- This segment line (PIA+5+&lt;nGRAI&gt;:SUE') is used to indicate <b>empty RTI</b> (e.g. stabilization crates).</li><li>- The details of this working method can be found in the annex 'DESADV examples'.</li></ul> |       |              |    |         |       |          |       |         |      |        |

| Segm.#   | Segm.  | Composite DE | DE   | DE name                           | MaxUs | Belgilux | Value   | Meaning | Type | Length |
|--|--|--------------|------|-----------------------------------|-------|----------|---|---------|------|--------|
| <b>SG10</b>  | <b>CPS-SG11-SG17</b>                         |              |      |                                   | 9999  |          |   |         |      |        |
| <b>SG17</b>  | <b>LIN-PIA-IMD-MEA-QTY-DTM-FTX-SG18-SG20</b> |              |      |                                   | 9999  |          |   |         |      |        |
|  | <b>32 PIA</b>                                |              |      | <b>Additional product id</b>      | 10    | C        |   |         |      |        |
| <p><i>For easier reading, the PIA segment is split up in separate pages. This page indicates the working method for Batch number and Ear-tag number.</i></p> |  |              |      |                                   |       |          |   |         |      |        |
| PIA  |  |              | 4347 | Product identifier code qualifier | R     |          | <b>1</b> = Additional identificaton           |         | AN   | 1>3    |
| PIA  | <b>C212</b>                                  |              |      | <b>Item number identification</b> | R     |          |   |         |      |        |
| PIA  | C212   |              | 7140 | Item identifier                   | R     |          | <..>  |         | AN   | 1>35   |
| PIA  | C212   |              | 7143 | Item type identification code     | D     |          | <b>NB</b> = Batch number                      |         | AN   | 1>3    |
|  |  |              |      |                                   | D     |          | <b>X2</b> = Ear-tag number (= Sanitel number) |         |      |        |
|  |  |              |      |                                   | O     |          | <b>SA</b> = Supplier's article number         |         |      |        |
|  |  |              |      |                                   | O     |          | <b>BP</b> = Buyer's part number               |         |      |        |
| PIA  | C212   |              | 1131 | Code list identification code     | N     |          |   |         | AN   | 1>17   |
| PIA  | C212   |              | 3055 | Code list responsible agency code | N     |          |   |         | AN   | 1>3    |
| PIA  | <b>C212</b>                                  |              |      | <b>Item number identification</b> | N     |          |   |         |      |        |
| PIA  | C212   |              | 7140 | Item identifier                   | N     |          |   |         | AN   | 1>35   |
| PIA  | C212   |              | 7143 | Item type identification code     | N     |          |   |         | AN   | 1>3    |
| PIA  | C212   |              | 1131 | Code list identification code     | N     |          |   |         | AN   | 1>17   |
| PIA  | C212   |              | 3055 | Code list responsible agency code | N     |          |   |         | AN   | 1>3    |
| PIA  | <b>C212</b>                                  |              |      | <b>Item number identification</b> | N     |          |   |         |      |        |
| PIA  | C212   |              | 7140 | Item identifier                   | N     |          |   |         | AN   | 1>35   |
| PIA  | C212   |              | 7143 | Item type identification code     | N     |          |   |         | AN   | 1>3    |
| PIA  | C212   |              | 1131 | Code list identification code     | N     |          |   |         | AN   | 1>17   |
| PIA  | C212   |              | 3055 | Code list responsible agency code | N     |          |   |         | AN   | 1>3    |
| PIA  | <b>C212</b>                                  |              |      | <b>Item number identification</b> | N     |          |   |         |      |        |
| PIA  | C212   |              | 7140 | Item identifier                   | N     |          |   |         | AN   | 1>35   |
| PIA  | C212   |              | 7143 | Item type identification code     | N     |          |   |         | AN   | 1>3    |
| PIA  | C212   |              | 1131 | Code list identification code     | N     |          |   |         | AN   | 1>17   |
| PIA  | C212   |              | 3055 | Code list responsible agency code | N     |          |   |         | AN   | 1>3    |
| <p><i>This segment is used to provide additional identification for the current line item.</i></p>   |  |              |      |                                   |       |          |   |         |      |        |

| Segm.#   | Segm. | Composite DE | DE | DE name | MaxUs | Belgilux | Value | Meaning | Type | Length |
|--|-------|--------------|----|---------|-------|----------|-------|---------|------|--------|
| <p><u>Dependency notes:</u></p> <p>DE 7414: - Qualifier '<b>NB</b>': When relevant, the batch number is <b>required</b> on line level (#32 PIA+1+&lt;Batch n°&gt;:NB').<br/> Generally, the batch number refers to a best before date.</p> <ul style="list-style-type: none"> <li>- Qualifier '<b>X2</b>' is used in the context of <b>meat traceability</b>.</li> <li>- For meat traceability, either the 'batch number' or the 'Sanitel number' is at least <b>required</b>. Their working methods can be found in the annex 'DESADV examples'.</li> </ul> |       |              |    |         |       |          |       |         |      |        |

| Segm.#      | Segm.  | Composite DE | DE   | DE name                           | MaxUs     | Belgilux | Value  | Meaning | Type | Length |
|-------------|--|--------------|------|-----------------------------------|-----------|----------|--|---------|------|--------|
| <b>SG10</b> | <b>CPS-SG11-SG17</b>                         |              |      |                                   | 9999      |          |  |         |      |        |
| <b>SG17</b> | <b>LIN-PIA-IMD-MEA-QTY-DTM-FTX-SG18-SG20</b> |              |      |                                   | 9999      |          |  |         |      |        |
| <b>33</b>   | <b>IMD</b>                                   |              |      | <b>Item description</b>           | <b>25</b> | <b>C</b> |  |         |      |        |
|             | IMD  |              | 7077 | Description format code           |           | D        | <b>F</b> = Free-form                               |         | AN   | 1>3    |
|             |  |              |      |                                   |           | D        | <b>C</b> = Code                                    |         |      |        |
|             | IMD  | <b>C272</b>  |      | <b>Item characteristic</b>        |           | D        |  |         |      |        |
|             | IMD  | C272         | 7081 | Item characteristic code          |           | D        | <b>72</b> = Harvest year of the grapes of wine     |         | AN   | 1>3    |
|             | IMD  | C272         | 1131 | Code list identification code     |           | N        |  |         | AN   | 1>17   |
|             | IMD  | C272         | 3055 | Code list responsible agency code |           | N        |  |         | AN   | 1>3    |
|             | IMD  | <b>C273</b>  |      | <b>Item description</b>           |           | R        |  |         |      |        |
|             | IMD  | C273         | 7009 | Item description code             |           | D        | <..>   |         | AN   | 1>17   |
|             | IMD  | C273         | 1131 | Code list identification code     |           | D        | <b>OAG</b> = Organic Claim Agency                  |         | AN   | 1>17   |
|             |  |              |      |                                   |           | D        | <b>X59</b> = FAO fishing areas                     |         |      |        |
|             | IMD  | C273         | 3055 | Code list responsible agency code |           | D        | <b>2</b> = CEC, European Commission                |         | AN   | 1>3    |
|             |  |              |      |                                   |           | D        | <b>400</b> = FAO Food and Agriculture Organization |         |      |        |
|             | IMD  | C273         | 7008 | Item description                  |           | D        | <..>   |         | AN   | 1>256  |
|             | IMD  | C273         | 7008 | Item description                  |           | D        | <..>   |         | AN   | 1>256  |
|             | IMD  | C273         | 3453 | Language name code                |           | D        | <b>FR</b> French                                   |         | AN   | 1>3    |
|             |  |              |      |                                   |           | D        | <b>NL</b> Dutch                                    |         |      |        |
|             |  |              |      |                                   |           | D        | <b>DE</b> German                                   |         |      |        |
|             |  |              |      |                                   |           | D        | <b>EN</b> English                                  |         |      |        |
|             | IMD  |              | 7383 | Surface or layer code             |           | N        |  |         | AN   | 1>3    |

*This segment is used to describe the current line item.*

| Segm.#  | Segm. | Composite DE | DE | DE name | MaxUs | Belgilux | Value | Meaning | Type | Length |
|---|-------|--------------|----|---------|-------|----------|-------|---------|------|--------|
| <u>Segment notes:</u>   |       |              |    |         |       |          |       |         |      |        |
| This segment must be used to mention:   |       |              |    |         |       |          |       |         |      |        |
| - the controlling agency (with its registration number) that certified the organic product. E.g. IMD+F++:OAG:2:BE-BIO-01:CERTISYS'.<br>Furthermore, It should be noted that the indication of 'the organization that handed out the bio certification label', is actually only required on the product label itself (cf. EU directive 834/2007). Nevertheless, it should be noted that both kind of information should be exchanged via GDSN rather than via EDI. |       |              |    |         |       |          |       |         |      |        |
| - the article description. This can be useful when the trade partner is using webEDI. E.g. IMD+F++:::ITEM DESCRIPTION::FR'  |       |              |    |         |       |          |       |         |      |        |
| - the vintage year (millésime) of wine if the bottles get each year the same GTIN and the retailer wants to make a distinction. E.g. IMD+C+72+:::2014'  |       |              |    |         |       |          |       |         |      |        |
| - the fish catch area. E.g. IMD+C++21:X59:400'  |       |              |    |         |       |          |       |         |      |        |
| <u>Dependency notes:</u>  |       |              |    |         |       |          |       |         |      |        |
| - DE 7077:  |       |              |    |         |       |          |       |         |      |        |
| * use F in case you want to mention the organic controlling agency that certified the organic product or the article description in case of webEDI  |       |              |    |         |       |          |       |         |      |        |
| * use C in case you want to mention the vintage year or fish catch area   |       |              |    |         |       |          |       |         |      |        |
| - DE 7081: only use this DE with code 72 when the vintage year needs to be exchanged.   |       |              |    |         |       |          |       |         |      |        |
| - DE 7009: only use this DE to specify the coded fish area. The code list can be found on <a href="http://www.fao.org/fishery/area/search/en">http://www.fao.org/fishery/area/search/en</a>   |       |              |    |         |       |          |       |         |      |        |
| - DE 1131: when the IMD segment is used to exchange:  |       |              |    |         |       |          |       |         |      |        |
| * the organic controlling agency: mention OAG   |       |              |    |         |       |          |       |         |      |        |
| * the fish catch area: mention X59  |       |              |    |         |       |          |       |         |      |        |
| - DE 3055: when the IMD segment is used to exchange:  |       |              |    |         |       |          |       |         |      |        |
| * the organic controlling agency: mention 2   |       |              |    |         |       |          |       |         |      |        |
| * the fish catch area: mention 400  |       |              |    |         |       |          |       |         |      |        |
| - first DE 7008: when the IMD segment is used to exchange:  |       |              |    |         |       |          |       |         |      |        |
| * the organic controlling agency, the code of this agency should be mentioned.<br>The code list can be found on <a href="http://ec.europa.eu/agriculture/ofis_public/r8/ctrl_r8.cfm?targetUrl=home&amp;lang=en">http://ec.europa.eu/agriculture/ofis_public/r8/ctrl_r8.cfm?targetUrl=home&amp;lang=en</a>   |       |              |    |         |       |          |       |         |      |        |
| * article descriptions, the description should be mentioned.  |       |              |    |         |       |          |       |         |      |        |
| * the vintage year, that year should be mentioned.  |       |              |    |         |       |          |       |         |      |        |
| - second DE 7008: only when the IMD-segment is used to exchange the organic controlling agency the name of this agency should be mentioned.   |       |              |    |         |       |          |       |         |      |        |
| - DE 3453: only when the IMD-segment is used to exchange article descriptions, the language code should be mentioned.   |       |              |    |         |       |          |       |         |      |        |

| Segm.#      | Segm.  | Composite DE | DE   | DE name                            | MaxUs     | Belgilux | Value | Meaning   | Type | Length |
|-------------|--|--------------|------|------------------------------------|-----------|----------|-------|---|------|--------|
| <b>SG10</b> | <b>CPS-SG11-SG17</b>                         |              |      |                                    | 9999      |          |       |   |      |        |
| <b>SG17</b> | <b>LIN-PIA-IMD-MEA-QTY-DTM-FTX-SG18-SG20</b> |              |      |                                    | 9999      |          |       |   |      |        |
| <b>34</b>   | <b>MEA</b>                                   |              |      | <b>Measurements</b>                | <b>10</b> | <b>C</b> |       | <b>NET WEIGHT</b>   |      |        |
|             | MEA  |              | 6311 | Measurement purpose code qualifier |           | R        |       | <b>PD</b> = Physical dimensions   | AN   | 1>3    |
|             | MEA  | <b>C502</b>  |      | <b>Measurement details</b>         |           | R        |       |   |      |        |
|             | MEA  | C502         | 6313 | Measured attribute code            |           | D        |       | <b>AAC</b> = Total net weight (Total weight of goods excluding packaging) | AN   | 1>3    |
|             | MEA  | C502         | 6321 | Measurement significance code      |           | N        |       |   | AN   | 1>3    |
|             | MEA  | C502         | 6155 | Non-discrete measurement name code |           | N        |       |   | AN   | 1>17   |
|             | MEA  | C502         | 6154 | Non-discrete measurement name      |           | N        |       |   | AN   | 1>70   |
|             | MEA  | <b>C174</b>  |      | <b>Value/range</b>                 |           | R        |       |   |      |        |
|             | MEA  | C174         | 6411 | Measurement unit code              |           | D        |       | <b>KGM</b> = Kilogram   | AN   | 1>3    |
|             |  |              |      |                                    |           | D        |       | <b>LTR</b> = Liter  |      |        |
|             |  |              |      |                                    |           | D        |       | <b>MTR</b> = Meter  |      |        |
|             | MEA  | C174         | 6314 | Measurement value                  |           | R        |       | <b>&lt;..&gt;</b> Max 3 digits after the decimal point.                   | AN   | 1>18   |
|             | MEA  | C174         | 6162 | Range minimum value                |           | N        |       |   | N    | 1>18   |
|             | MEA  | C174         | 6152 | Range maximum value                |           | N        |       |   |      |        |
|             | MEA  | C174         | 6432 | Significant digits quantity        |           | N        |       |   |      |        |
|             | MEA  |              | 7383 | Surface or layer code              |           | N        |       |   |      |        |

*This segment is used to specify the actual physical dimensions of the line item being despatched where the product is sold in variable dimensions.*

**Segment notes:**

This segment must be used for:

- goods with a **variable nature**: they should have their 'order unit' and 'delivery unit' expressed in 'number of crates/cases/pallets/other' (for #35 QTY), and have their 'exact weight/dimensions' specified in #34 MEA+PD+AAC+KGM:<net weight>.
- a **delivery in bulk** ("en vrac") for which the quantity can only be expressed in kg, l or m.

The DESADV should express #35 QTY+12:1' and have its real weight specified in #34 MEA+PD+AAC+KGM:<net weight>.

When indication of weight is relevant, the total net weight is **required** on line level (#34 MEA+PD+AAC+KGM:<net weight>), and optional at logistic unit level (#24 MEA).

If weight is mentioned on both levels, the net weight on line level (#34) precedes the net weight on logistic unit level (#24).

| Segm.#  | Segm. | Composite DE | DE | DE name | MaxUs | Belgilux | Value | Meaning | Type | Length |
|---|-------|--------------|----|---------|-------|----------|-------|---------|------|--------|
| <u>Dependency notes:</u><br>DE 6313: code AAC should only be used if code KGM is used in DE 6411. |       |              |    |         |       |          |       |         |      |        |



| Segm.# | Segm.                                 | Composite DE | DE   | DE name                      | MaxUs | Belgilux | Value  | Meaning | Type | Length |
|--------|---------------------------------------|--------------|------|------------------------------|-------|----------|--|---------|------|--------|
| SG10   | CPS-SG11-SG17                         |              |      |                              | 9999  |          |  |         |      |        |
| SG17   | LIN-PIA-IMD-MEA-QTY-DTM-FTX-SG18-SG20 |              |      |                              | 9999  |          |  |         |      |        |
|        | 35 QTY                                |              |      | Quantity                     |       |          | 10 M   |         |      |        |
|        | QTY                                   | C186         |      | Quantity details             |       |          |  |         |      |        |
|        | QTY                                   | C186         | 6063 | Quantity type code qualifier |       | R        |  |         |      |        |
|        |                                       |              |      |                              |       | O        | 12 = Despatch quantity (incl. free goods qty)    |         | AN   | 1>3    |
|        |                                       |              |      |                              |       |          | 59 = Number of consumer units in the traded unit |         |      |        |
|        | QTY                                   | C186         | 6060 | Quantity                     |       | R        | <..>   |         | AN   | 1>35   |
|        | QTY                                   | C186         | 6411 | Measurement unit code        |       | N        |  |         | AN   | 1>3    |

*This segment is used to specify the quantity of the product identified in the LIN segment (#31).*

Segment notes:

- Ideally, goods with a **variable nature** should have their 'order unit' and 'delivery unit' expressed in 'number of crates/cases/pallets/other' (for #35 QTY), and have their 'exact weight/dimensions' specified in #34 MEA+PD+AAC+KGM:<net weight>.
- If it concerns a **delivery in bulk** ("en vrac") for which the quantity can only be expressed in kg, l or m, the DESADV should express #35 QTY+12:1 and have its real weight specified in #34 MEA+PD+AAC+KGM:<net weight>.

Dependency notes:

- DE 6063: - Qualifier **12**: For each occurring LIN segment, the despatch quantity (QTY+12) is **required**.
- Qualifier **59**: Optionally, if the supplier wishes, he/she may mention the number of consumer units (the smallest unit) per trade unit.

| Segm.# | Segm.                                 | Composite DE | DE   | DE name  | MaxUs | Belgilux | Value                                   | Meaning | Type | Length |
|--------|---------------------------------------|--------------|------|--|-------|----------|---|---------|------|--------|
| SG10   | CPS-SG11-SG17                         |              |      |  | 9999  |          |   |         |      |        |
| SG17   | LIN-PIA-IMD-MEA-QTY-DTM-FTX-SG18-SG20 |              |      |  | 9999  |          |   |         |      |        |
| 38     | DTM                                   |              |      | Date/time/period                               | 5     | C        |   |         |      |        |
|        | DTM                                   | C507         |      | Date/time/period                               |       | R        |   |         |      |        |
|        | DTM                                   | C507         | 2005 | Date or time or period function code qualifier |       | R        | <b>361</b> = Best before date           |         | AN   | 1>3    |
|        |                                       |              |      |  |       | O        | <b>94</b> = Production/manufacture date |         |      |        |
|        |                                       |              |      |  |       | O        | <b>365</b> = Packaging date             |         |      |        |
|        |                                       |              |      |  |       | O        | <b>X20</b> = Slaughtering date          |         |      |        |
|        |                                       |              |      |  |       | O        | <b>2BE</b> = Cutting date               |         |      |        |
|        |                                       |              |      |  |       | D        | <b>91E</b> = First freezing date        |         |      |        |
|        | DTM                                   | C507         | 2380 | Date or time or period value                   |       | R        | <..>                                    |         | AN   | 1>35   |
|        | DTM                                   | C507         | 2379 | Date or time or period format code             |       | R        | <b>203</b> = CCYYMMDDHHMM               |         | AN   | 1>3    |

*This segment is used to specify relevant dates (and possibly times) of the current line item;*

Segment notes:

- When relevant (for instance for food or non-food with an expiration date), a best before date (361) is at least **required**.
- Generally, a best before date refers to a batch number.

Dependency notes:

- DE 2380: in case no detailed time information is available, fill in 0000 for the hour and minutes (HHMM).
- DE 2005: for frozen fish code 91E must be specified

| Segm.#      | Segm.  | Composite DE | DE   | DE name                           | MaxUs     | Belgilux | Value      | Meaning             | Type | Length |
|-------------|--|--------------|------|-----------------------------------|-----------|----------|------------|---------------------|------|--------|
| <b>SG10</b> | <b>CPS-SG11-SG17</b>                         |              |      |                                   | 9999      |          |            |                     |      |        |
| <b>SG17</b> | <b>LIN-PIA-IMD-MEA-QTY-DTM-FTX-SG18-SG20</b> |              |      |                                   | 9999      |          |            |                     |      |        |
| <b>39</b>   | <b>FTX</b>                                   |              |      | <b>Free text</b>                  | <b>99</b> | <b>C</b> |            |                     |      |        |
|             | FTX  |              | 4451 | Text subject code qualifier       |           | R        | <b>ZZZ</b> | = Mutually defined  | AN   | 1>3    |
|             | FTX  |              | 4453 | Free text function code           |           | N        |            |                     |      |        |
|             | FTX  | <b>C107</b>  |      | <b>Text reference</b>             |           | N        |            |                     |      |        |
|             | FTX  | C107         | 4441 | Free text value code              |           | N        |            |                     | AN   | 1>3    |
|             | FTX  | C107         | 1131 | Code list identification code     |           | N        |            |                     | AN   | 1>35   |
|             | FTX  | C107         | 3055 | Code list responsible agency code |           | N        |            |                     | AN   | 1>3    |
|             | FTX  | <b>C108</b>  |      | <b>Tekst literal</b>              |           | R        |            |                     |      |        |
|             | FTX  | C108         | 4440 | Free text value                   |           | R        | <...>      | Vat rate            | AN   | 1>5    |
|             | FTX  | C108         | 4440 | Free text value                   |           | R        | <...>      | Net price           | AN   | 1>512  |
|             | FTX  | C108         | 4440 | Free text value                   |           | O        | <...>      | Sales price         | AN   | 1>512  |
|             | FTX  | C108         | 4440 | Free text value                   |           | R        | <...>      | Currency (ISO code) | AN   | 1>3    |
|             | FTX  | C108         | 4440 | Free text value                   |           | N        |            |                     |      |        |
|             | FTX  |              | 3453 | Language name code                |           | N        |            |                     | AN   | 1>3    |
|             | FTX  |              | 4447 | Free text format code             |           | N        |            |                     | AN   | 1>3    |

*This segment is used to provide free form or coded text information.*

**Segment note:**

- Only implement this segment for the following **specific business cases** and provided it's **bilaterally agreed beforehand**:

\* for direct deliveries of goods to franchisees of which 'the GTIN and price is not known in the headquarters', and thus needs to be communicated to the headquarters in order to valorize the despatch advice and create the proforma invoice to match it with the real invoice.

\* for ultra-fresh products that don't have fixed prices: the prices for that kind of products (e.g. fresh fish) can fluctuate on a daily basis.

There is no agreed price for a determined period. The price can be different on the moment the client orders the products and then the supplier delivers them.

The supplier hereby mentions 'for the trade unit described in the LIN segment', its VAT rate, net price, optionally sales price and currency.

e.g. #39 FTX+ZZZ+++12.50:7.321::EUR'

- Use a dot (.) for decimals.

| Segm.#  | Segm.                                 | Composite DE | DE   | DE name                      | MaxUs | Belgilux | Value                                       | Meaning | Type | Length |
|---|---------------------------------------|--------------|------|------------------------------|-------|----------|---|---------|------|--------|
| SG10  | CPS-SG11-SG17                         |              |      |                              | 9999  |          |   |         |      |        |
| SG17  | LIN-PIA-IMD-MEA-QTY-DTM-FTX-SG18-SG20 |              |      |                              | 9999  |          |   |         |      |        |
| SG18  | RFF                                   |              |      |                              | 99    |          |   |         |      |        |
| 41  | RFF                                   |              |      | Reference                    | 1     | C        |   |         |      |        |
|   | RFF                                   | <b>C506</b>  |      | <b>Reference</b>             |       | R        |   |         |      |        |
|   | RFF                                   | C506         | 1153 | Reference code qualifier     |       | D        | <b>AWT</b> = Administrative Reference Code  |         | AN   | 1>3    |
|   |                                       |              |      |                              |       | D        | <b>YC4</b> = Cutting plant approval number  |         |      |        |
|   |                                       |              |      |                              |       | D        | <b>YC5</b> = Slaughterhouse approval number |         |      |        |
|   | RFF                                   | C506         | 1154 | Reference identifier         |       | R        | <..>  |         | AN   | 1>70   |
|   | RFF                                   | C506         | 1156 | Document line identifier     |       | N        |   |         | AN   | 1>6    |
|   | RFF                                   | C506         | 4000 | Reference version identifier |       | N        |   |         | AN   | 1>35   |
|   | RFF                                   | C506         | 1060 | Revision identifier          |       | N        |   |         | AN   | 1>6    |
| <p><i>This segment is used to specify any references which are for the line item only.</i></p> <p><u>Dependency notes:</u></p> <p>- DE1153:</p> <ul style="list-style-type: none"> <li>* In case of <b>excise goods</b>, the 'Administrative Reference Code' (<b>AWT</b>) may be identified.</li> <li>* Qualifiers 'YC4 &amp; YC5' are used in the context of meat traceability. Their working method can be found in the annex 'DESADV examples'.</li> </ul> |                                       |              |      |                              |       |          |   |         |      |        |

| Segm.#      | Segm.  | Composite DE | DE   | DE name                                    | MaxUs    | Belgilux | Value   | Meaning | Type | Length |
|-------------|--|--------------|------|--|----------|----------|---|---------|------|--------|
| <b>SG10</b> | <b>CPS-SG11-SG17</b>                         |              |      |  | 9999     |          |   |         |      |        |
| <b>SG17</b> | <b>LIN-PIA-IMD-MEA-QTY-DTM-FTX-SG18-SG20</b> |              |      |  | 9999     |          |   |         |      |        |
| <b>SG20</b> | <b>LOC</b>                                   |              |      |  | 100      |          |   |         |      |        |
| <b>43</b>   | <b>LOC</b>                                   |              |      | <b>Place/location identification</b>       | <b>1</b> | <b>C</b> |   |         |      |        |
|             | LOC  |              | 3227 | Location function code qualifier           |          | D        | <b>7</b> = Place of delivery  |         | AN   | 1>3    |
|             |  |              |      |  |          | D        | <b>241</b> = Country of birth                                       |         |      |        |
|             |  |              |      |  |          | D        | <b>242</b> = Country of fattening                                   |         |      |        |
|             |  |              |      |  |          | D        | <b>246</b> = Slaughterhouse   |         |      |        |
|             |  |              |      |  |          | D        | <b>30E</b> = Cutting plant  |         |      |        |
|             |  |              |      |  |          | D        | <b>243</b> = Country of slaughter                                   |         |      |        |
|             |  |              |      |  |          | D        | <b>244</b> = Country of cutting                                     |         |      |        |
|             |  |              |      |  |          | D        | <b>306</b> = Global Gap number                                      |         |      |        |
|             | LOC  | <b>C517</b>  |      | <b>Location identification</b>             |          | R        |   |         |      |        |
|             | LOC  | C517         | 3225 | Location name code                         |          | D        | <GLN>   |         | AN   | 1>13   |
|             |  |              |      |  |          | D        | <COMEOS e.g. Comeos code<br>CODE>                                   |         |      |        |
|             |  |              |      |  |          | D        | <ISO> e.g. country code   |         |      |        |
|             | LOC  | C517         | 1131 | Code list identification code              |          | N        |   |         | AN   | 1>17   |
|             | LOC  | C517         | 3055 | Code list responsible agency code          |          | D        | <b>5</b> = ISO (e.g. country code/FAO fish area)                    |         | AN   | 1>3    |
|             |  |              |      |  |          | D        | <b>60</b> = assigned by a national trade agency (e.g. Comeos codes) |         |      |        |
|             |  |              |      |  |          | D        | <b>9</b> = GS1 (e.g. GLN)   |         |      |        |
|             | LOC  | C517         | 3224 | Location name                              |          | N        |   |         | AN   | 1>256  |
|             | LOC  | <b>C519</b>  |      | <b>Related location one identification</b> |          | N        |   |         |      |        |
|             | LOC  | C519         | 3223 | First related location name code           |          | N        |   |         | AN   | 1>25   |
|             | LOC  | C519         | 1131 | Code list identification code              |          | N        |   |         | AN   | 1>17   |
|             | LOC  | C519         | 3055 | Code list responsible agency code          |          | N        |   |         | AN   | 1>3    |
|             | LOC  | C519         | 3222 | First related location name                |          | N        |   |         | AN   | 1>70   |

| Segm.# | Segm. | Composite DE | DE   | DE name                             | MaxUs | Belgilux | Value | Meaning | Type | Length |
|--------|-------|--------------|------|-------------------------------------|-------|----------|-------|---------|------|--------|
|        | LOC   | C553         |      | Related location two identification |       | N        |       |         |      |        |
|        | LOC   | C553         | 3233 | Second related location name code   |       | N        |       |         | AN   | 1>25   |
|        | LOC   | C553         | 1131 | Code list identification code       |       | N        |       |         | AN   | 1>17   |
|        | LOC   | C553         | 3055 | Code list responsible agency code   |       | N        |       |         | AN   | 1>3    |
|        | LOC   | C553         | 3232 | Second related location name        |       | N        |       |         | AN   | 1>70   |
|        | LOC   |              | 5479 | Relation code                       |       | N        |       |         | AN   | 1>3    |

*This segment is used to identify a location relevant to the trade item in the LIN segment.*

Segment notes:

This segment should only be used in case of:

- transshipment (= 'n' ultimate destinations) to specify the store for which the goods are ultimately intended.  
(In case of cross dock however (= only '1' ultimate destination), use (#9) NAD+UC)  
(This is not to be mistaken with (#9) NAD+DP that specifies the GLN of the delivery address, where the goods will be delivered in the first place)
- meat traceability requirements need to be met.

Dependency notes:

- DE 3227:
  - \* Qualifier 7 must be used in case of a transshipment.
  - \* Qualifiers 241, 242, 246, 30E, 243 and 244 must be used for meat traceability. Their working method can be found in the annex 'DESADV examples'
  - \* Qualifier 306 must be used in case of sustainable fruit and vegetables to mention the Global Gap Number
- DE 3225:
  - \* A GLN of the store should be mentioned in case of transshipment
  - \* In case of meat traceability a GLN or a "Comeos code" should be used when in DE 3227 a reference is made to a location (code 246 and 30E), and an ISO code when reference is made to a country (241, 242, 243 and 244).
- DE 3055:
  - \* When an ISO code is mentioned in DE 3225, code 5 should be used.
  - \* When a GLN is mentioned in DE 3225, code 9 should be used.
  - \* When a "Comeos code" is mentioned in DE 3225, code 60 should be used.

| Segm.#  | Segm. | Composite DE               | DE   | DE name                           | MaxUs      | Belgilux | Value    | Meaning                                   | Type | Length |
|---|-------|----------------------------|------|-----------------------------------|------------|----------|----------|---|------|--------|
| <b>56 CNT</b>   |       | <b>Control total</b>       |      |                                   | <b>5 M</b> |          |          |   |      |        |
|   | CNT   | <b>C270</b>                |      | <b>Control</b>                    |            | R        |          |   |      |        |
|   | CNT   | C270                       | 6069 | Control total type code qualifier |            | R        | <b>2</b> | = Number of line items in message         | AN   | 1>3    |
|   | CNT   | C270                       | 6066 | Control total value               |            | R        | <..>     |   | N    | 1>18   |
|   | CNT   | C270                       | 6411 | Measurement unit code             |            |          |          |   | AN   | 1>3    |
| <p><i>This segment is used to specify the number of line items in the message.<br/>E.g.:CNT+2:9'</i></p>  |       |                            |      |                                   |            |          |          |   |      |        |
| <b>57 UNT</b>   |       | <b>Message trailer</b>     |      |                                   | <b>1 M</b> |          |          |   |      |        |
|   | UNT   |                            | 0074 | Number of segments in the message |            | R        | <..>     |   | N    | 1>6    |
|   | UNT   |                            | 0062 | Message reference number          |            | R        | <..>     |   | AN   | 1>14   |
| <p><i>This segment is a mandatory UN/EDIFACT segment. It must always be the last segment in the message before the interchange trailer segment UNZ.</i></p> |       |                            |      |                                   |            |          |          |   |      |        |
| <b>UNZ</b>  |       | <b>Interchange trailer</b> |      |                                   | <b>M</b>   |          |          |   |      |        |
|   | UNZ   |                            | 0036 | Interchange control count         |            | R        | <..>     | Number of messages within the interchange | N    | 1>6    |
|   | UNZ   |                            | 0020 | Interchange control reference     |            | R        | <..>     | Identical to DE 0020 in UNB segment       | AN   | 1>14   |
| <p><i>This segment is to provide the trailer of an interchange (serves as envelope).</i></p>  |       |                            |      |                                   |            |          |          |   |      |        |







**Belgium & Luxembourg**

The Global Language of Business

**Harmonized Order to Cash (HO2C) V3  
DESADV examples**

## Content

|   |    |
|---|----|
| <b>1. Simple despatch advice<sup>1</sup></b>  | 4  |
| for a uniform and mixed pallet for DC delivery,<br>with minimal required information and corresponding GS1 logistic label |    |
| <b>2. About RTI management</b>  | 6  |
| (to keep track of the 'means to transport goods')   |    |
| <b>3. Delivery of crates</b>  | 8  |
| Non-serialized crates on pallets  |    |
| Empty crates as part of a logistic unit (also called stabilization crates)  |    |
| Empty crates NOT being part of a logistic unit  |    |
| Serialized crates on pallets  |    |
| <b>4. Delivery of complex pallets</b>   | 13 |
| Stacked pallets   |    |
| Half pallets delivered on mother pallet   |    |
| Half pallets without mother pallet but wrapped together   |    |
| Single half pallet  |    |
| <b>5. Delivery of self-assembled trolleys (variable number of shelves)</b>  | 17 |
| Self-assembled uniform trolley (carrying the same GTIN)   |    |
| Self-assembled mixed trolley (carrying different GTINs)   |    |
| <b>6. Goods with a variable weight</b>  | 18 |
| <b>7. Goods subject to traceability requirements</b>  | 19 |
| Traceability of meat  |    |
| Traceability of 'bulk meat that has to stay together' ( <i>specific business case</i> )                                   |    |
| Traceability of fish  |    |
| <b>8. Direct delivery to a store</b>  | 22 |
| <b>9. Cross docking &amp; transshipment (synonym 'flux alloti')</b>   | 22 |
| <b>10. Backhauling</b>  | 23 |
| <b>11. Home delivery</b>  | 24 |
| <b>12. Non-hierarchical DESADV</b>  | 26 |
| <b>13. About</b>  | 27 |
| Different best before dates/batch numbers within 1 GTIN   |    |
| More or less goods delivered in regards to what was <i>ordered</i>  |    |
| Free goods  |    |
| Promotional variant number  |    |
| Goods in consignment  |    |
| Consumer empties  |    |
| Logistics service provider (LSP)  |    |

---

<sup>1</sup> 'Despatch advice' (also called 'Advanced Shipping Note' or 'ASN') is hereafter mentioned as 'DESADV', which is the GS1 EANCOM® term for 'despatch advice'.

**Log of changes:**

| Version    | Date   | Change  |
|------------|--|---|
| <b>3</b>   | 1 06<br>2019                                       | <ul style="list-style-type: none"> <li>- Added GRAI to cross docking example</li> <li>- Added example fish traceability</li> </ul>  |
| <b>2.0</b> | Jan<br>2018  | <p>Changed url RTI-list from<br/> <a href="https://www.gs1.nl/sites/default/files/so_emballagecodes_gs1beneluxrtiist.pdf">https://www.gs1.nl/sites/default/files/so_emballagecodes_gs1beneluxrtiist.pdf</a><br/> into<br/> <a href="https://www.gs1.nl/sites/default/files/so_emballagecodes_gs1beneluxrtiist.xlsx">https://www.gs1.nl/sites/default/files/so_emballagecodes_gs1beneluxrtiist.xlsx</a></p>            |
| <b>2.0</b> | Apr<br>2017  | <ul style="list-style-type: none"> <li>- Removed indication that GRAIs are optional</li> <li>- Added example of non-hierarchical DESADV</li> <li>- Added examples of 3 sub scenarios of home delivery</li> <li>- Removed "package type description codes" from PAC segments that follow immediately after CPS+1</li> <li>- Updated link to manual logistic label and its annex + manual meat traceability.</li> </ul> |
| <b>1.0</b> | Feb<br>2016<br><br>Aug<br>2015<br><br>July<br>2014 | <ul style="list-style-type: none"> <li>- Example changed to add Application Code BELU_V2 as it is a Required Value in UNB DE0026</li> <li>- Refinement about consumer empties in the footnote of "2.About RTI management" and "11. About".</li> <li>- Refinement in 9. Cross docking &amp; transshipment.</li> <li>- Making documentation available.</li> </ul>   |

**Contact:**

[EDI@gs1belu.org](mailto:EDI@gs1belu.org)

+32 (0) 2 290 57 84

### 1. Simple despatch advice

For a uniform and mixed pallet for DC delivery, with minimal required information and corresponding GS1 logistic label.

**Example:** Supplier delivers 2 logistic units, each identified by a SSCC. One is a **uniform** pallet. The other is a **mixed** pallet containing 2 different GTINs.

|    |   |   |
|----|---|---|
| #  | UNB+UNOC:3+5422222000005:14+5411111000002:14+120530:0812+4568++BELU_V3' | Interchange header  |
| 1  | UNH+5174+DESADV:D:01B:UN:EAN007'  | Message header  |
| 2  | BGM+351+2310+9'   | The DESADV number is 2310                                 |
| 3  | DTM+137:201305300000:203'   | Message date 30th of May 2013                             |
| 3  | DTM+2:201305300000:203'   | Requested delivery date 30th of May 2013                  |
| 3  | DTM+17:201305300000:203'  | Estimated delivery date 30th of May 2013                  |
| 7  | RFF+ON:1202'  | DESADV is related to order number 1202                    |
| 9  | NAD+BY+5411111000002::9'  | Buyer identified by GLN 5411111000002                     |
| 9  | NAD+SU+5422222000005::9'  | Supplier identified by GLN 5422222000005                  |
| 9  | NAD+DP+5411111000115::9'  | Delivery party identified by GLN 5411111000115            |
| 22 | CPS+1'  | General/entire consignment                                |
| 23 | PAC+2'  | There are 2 (loaded) logistic carriers                    |
| 22 | CPS+2+1'  | The first packing is being described                      |
| 23 | PAC+1++201'   | It concerns 1 pallet 80 x 120 cm                          |
| 27 | PCI+33E'  | The logistic unit is marked with                          |
| 30 | GIN+BJ+054222220008613702'  | SSCC 054222220008613702                                   |
| 27 | PCI+41G'  | The asset type is identified by nGRAI 0662510000767       |
| 30 | GIN+DA+0662510000767'   | (=CHEP P1208, Plastic pallet 800 x 1200)                  |
| 31 | LIN+1++5422222001002:SRV'   | The logistic unit carries 27 units                        |
| 32 | PIA+1+LOT545:NB'  | of GTIN 5422222001002, marked with batch number           |
| 35 | QTY+12:27'  | LOT545 and best before date 12 <sup>th</sup> of September |
| 38 | DTM+361:201309120000:203'   | 2013.   |
| 22 | CPS+3+1'  | The second packing is being described                     |
| 23 | PAC+1++201'   | It concerns 1 pallet 80 x 120 cm                          |
| 27 | PCI+33E'  | The logistic unit is marked with                          |
| 30 | GIN+BJ+054222220008613719'  | SSCC 054222220008613719                                   |
| 27 | PCI+41G'  | The asset type is identified by nGRAI 0662510000767       |
| 30 | GIN+DA+0662510000767'   | (=CHEP P1208, Plastic pallet 800 x 1200)                  |
| 31 | LIN+2++5422222001001:SRV'   | The logistic unit carries 13 units of GTIN                |
| 32 | PIA+1+LOT546:NB'  | 5422222001001, marked with batch number LOT546            |
| 35 | QTY+12:13'  | and best before date 13 <sup>th</sup> of September 2013.  |
| 38 | DTM+361:201309130000:203'   |   |
| 31 | LIN+3++5422222002003:SRV'   | The logistic unit also carries 10 units of GTIN           |
| 32 | PIA+1+LOT547:NB'  | 5422222002003, marked with batch number LOT547            |
| 35 | QTY+12:10'  | and best before date 15 <sup>th</sup> of September 2013.  |
| 38 | DTM+361:201309150000:203'   |   |
| 56 | CNT+2:3'  | In total, there are 3 line items.                         |
| 57 | UNT+37+5174'  | In total, there are 37 segment lines.                     |
| .. | UNZ+1+4568'   | Interchange trailer.                                      |

**Corresponding GS1 logistic labels:**



|   |
|---|
| <p>Free Information<br/>Eg. Company Name of Sender, Address, Product Description</p>  |
| <p><b>SSCC: 054222220008613702</b></p>  |
| <p>Product description</p>  |
| <p>CONTENT: 5422222001002<br/>COUNT: 27<br/>BEST BEFORE: 12/09/2012</p>   |
| <p><br/>(02) 0 5422222 00100 2 (15) 120912 (37) 27</p> <p><br/>(00) 0 5422222 000861370 2</p> |



|   |
|---|
| <p>Free Information<br/>Eg. Company Name of Sender, Address, Product Description</p>                                      |
| <p><b>SSCC: 054222220008613719</b></p>  |
| <p><br/>(00) 0 5422222 000861371 9</p> |

## 2. About RTI management (logistic carriers)

To allow the recipient to **count** (or *respectively track*) all incoming logistic carriers such as pallets and crates (generally referred to as RTI<sup>2</sup>), the **'asset type'** (or *respectively the 'individual asset'*) can be uniquely identified in the DESADV.

- The **'asset type'** is identified in 2 ways:
  - Generically, the class of the package type with a "package type description code".  
e.g. 202 = *pallet ISO 2: Standard pallet with dimensions 100 X 120 cm.*
  - Specifically, the precise brand/type of the package with a non-serialized "global returnable asset identifier" (nGRAI).  
e.g. 0662510000019 = *CHEP B1210A, Block Pallet, perimetric 1200x1000*

Both identifications can be found on the GS1 BeNeLux RTI list<sup>3</sup>:  
[https://www.gs1.nl/sites/default/files/so\\_emballagecodes\\_gs1beneluxrtiist.xlsx](https://www.gs1.nl/sites/default/files/so_emballagecodes_gs1beneluxrtiist.xlsx)

- The **'individual asset'** is identified with a serialized GRAI (sGRAI).

Note: RTIs are not to be confused with consumer empties.<sup>4</sup>

### How to use the 'GS1 BeNeLux RTI list'?

1. Look up the "package type description code" and the nGRAI in the list

| Official owner<br><small>Party who has allocated the identification code (nGRAI) to the asset type.</small> | Description of 'asset type'<br><small>Relevant information on colour, material, weight, specifications D/LxWxH in mm, etc.</small> | Allocated nGRAI<br><small>(In the Netherlands this is known as the GTIN for 'emballage'.) This is the identification code to use in EDI messages.</small> | Package type description code<br><small>EANCOM codelist 7065</small> |
|---|--|---|--|
| CHEP  | CHEP P0604A, Black or Blue Plastic Pallet, 600x400   | 0662510000163   | 203  |
| CHEP  | CHEP P1208, Plastic pallet, 1200x800   | 0662510000767   | 201  |
| CHEP  | CHEP P1210B, Plastic Pallet, 1200x1000   | 0662510000774   | 202  |

2. Mention that code in the EDI message
  - Package type description code in #23 PAC
  - nGRAI in #30 GIN+DA

|    |                            |   |
|----|----------------------------|---|
| 22 | ..                         |   |
| 23 | CPS+3+1'                   | The second packing is being described                 |
| 23 | PAC+1+201'                 | It concerns 1 standard pallet dimensions 80 X 120 cm. |
| 27 | PCI+33E'                   | The logistic unit is marked with                      |
| 30 | GIN+BJ+054222220008613719' | SSCC 054222220008613719                               |
| 27 | PCI+41G'                   | The asset type is identified by nGRAI 0662510000767   |
| 30 | GIN+DA+0662510000767'      | (=CHEP P1208, Plastic pallet, 1200 x 800)             |
|    | ...                        |   |

<sup>2</sup> RTI stands for 'reusable transport items', also called 'assets'. These are means to transport/move goods, e.g. a pallet, a crate, a barrel.

<sup>3</sup> The GS1 BeNeLux RTI list replaces the former GS1 Belgilux RTI list and GS1 Nederland Levensmiddelen Emballagelijst.

<sup>4</sup> Consumer empties are (B2C) objects that are acquired by consumers because it carries or contains the good(s) to be 'consumed', and are afterwards returned to the retailer in exchange for a refund. Examples of consumer empties are empty bottles and empty bottle crates. Under no circumstances is the DESADV to (explicitly/separately) specify the embedded consumer empties for a delivery of beverages.

**How to interpret this DESADV in terms of RTI?**

The DESADV indicates one (1) pallet (cf. #23 PAC) of type nGRAI 0662510000767 (cf. #30 GIN).

For a complete DESADV example, see p 4.

**How to mention RTI belonging to an encompassed GTIN?**

This is the case when RTI is a composing part of the ordered trade unit/GTIN (e.g. the pallet that is part of the trade item 'pallet of biscuits').


Each asset type needs to be explicitly mentioned, even when proper data synchronization (via GDSN) is already in order. The same accounts for the INVOIC; the RTI of an encompassed GTIN needs to be explicitly mentioned in the INVOIC, when appropriate.

### 3. Delivery of crates

**Example 1: Non-serialized crates on pallets.** The supplier delivers 4 pallets with (non-serialized) crates on.

- The first logistic unit (SSCC-1) carries
  - 14 crates (of the same type) containing 28 units of GTIN-1.
- The second logistic unit (SSCC-2) carries
  - 14 crates (of the same type) of which 6 crate<sup>5</sup> contain GTIN-1 and 8 crates contain GTIN-2.
- The third logistic unit (SSCC-3) carries
  - 6 crates containing GTIN-1 and 10 crates (of another type) containing GTIN-2.
- The fourth logistic unit (SSCC-4) carries
  - 18 crates containing GTIN-2 and 2 empty (stabilization) crates (on top of the pile).



Notice how the DESADV (for reasons of RTI management) explicitly specifies 'per pallet' and 'per crate type' its content (in that top down order) via the 'CPS-PAC-PCI-GIN segment group'<sup>6</sup>. It allows the supplier to indicate **which** crate type he/she despatched (cf. GIN+DA) and **how many** (cf. PAC+X).

|    |                           |  |
|----|---------------------------|--|
| #  | ...                       |  |
| 22 | CPS+1'                    | General/entire consignment<br>There are 4 logistic carriers  |
| 23 | PAC+4'                    |  |
| 22 | CPS+2+1'                  | The first packing (pallet level) is being described.<br>It concerns 1 pallet 80 x 120 cm<br><br>The logistic unit is marked with SSCC-1<br>The pallet type is identified by nGRAI-1 |
| 23 | PAC+1++201'               |  |
| 27 | PCI+33E'                  |  |
| 30 | GIN+BJ+<SSCC-1>\'         |  |
| 27 | PCI+41G'                  |  |
| 30 | GIN+DA+<nGRAI-1>\'        |  |
| 22 | CPS+3+2'                  | The packing within the pallet level (crate level) is being described.<br>It concerns 14 crates of type nGRAI-2.<br><br>The 14 crates carry in total<br>28 units of GTIN-1.   |
| 23 | PAC+14++CR'               |  |
| 27 | PCI+41G'                  |  |
| 30 | GIN+DA+<nGRAI-2>\'        |  |
| 31 | LIN+1++<GTIN-1>:SRV'      |  |
| 32 | PIA+1+LOT545:NB'          |  |
| 35 | QTY+12:28'                |  |
| 38 | DTM+361:201309120000:203' |  |
| 22 | CPS+4+1'                  | The next packing on pallet level is being described.<br>It concerns 1 pallet 80 x 120 cm   |
| 23 | PAC+1++201'               |  |
| 27 | PCI+33E'                  |  |

<sup>5</sup> Notice how this DESADV example does not split up the 6 and 8 crates (because they have the same crate type). Nevertheless, if relevant for one reason or another, you could easily split up the two by repeating the CPS-PAC-PCI-GIN segment group. If so, you end up with CPS+5+4 specifying the 6 crates, and CPS+6+4 specifying the 8 crates.

<sup>6</sup> Check the (technical) DESADV documentation (p 14 and 15) for more information about making hierarchical relationships via the CPS segment group.



|  |   |  |
|--|---|--|
| <p>30<br/>27<br/>30</p>  | <p><b>GIN</b>+BJ+&lt;SSCC-2&gt; \<br/><b>PCI</b>+41G'<br/><b>GIN</b>+DA+&lt;nGRAI-1&gt; \'</p>  | <p>The logistic unit is marked with SSCC-2<br/>The pallet type is identified by nGRAI-1</p>  |
| <p>22<br/>23<br/>27<br/>30<br/><br/>31<br/>32<br/>35<br/>38<br/><br/>31<br/>32<br/>35<br/>38</p> | <p><b>CPS</b>+5+4'<br/><b>PAC</b>+14++CR'<br/><b>PCI</b>+41G'<br/><b>GIN</b>+DA+&lt;nGRAI-2&gt; \<br/><br/><b>LIN</b>+2++&lt;GTIN-1&gt;:SRV'<br/><b>PIA</b>+1+LOT545:NB'<br/><b>QTY</b>+12:12'<br/><b>DTM</b>+361:201309120000:203'<br/><br/><b>LIN</b>+3++&lt;GTIN-2&gt;:SRV'<br/><b>PIA</b>+1+LOT546:NB'<br/><b>QTY</b>+12:24'<br/><b>DTM</b>+361:201309130000:203'</p> | <p>As for the crate level,<br/>there are 14 crates on SSCC-2.<br/>The crate type is identified by nGRAI-2.<br/><br/>The 14 crates carry in total 12 units of GTIN-1<br/>and 24 units of GTIN-2.</p>  |
| <p>22<br/>23<br/>27<br/>30<br/>27<br/>30</p>   | <p><b>CPS</b>+6+1'<br/><b>PAC</b>+1++201'<br/><b>PCI</b>+33E'<br/><b>GIN</b>+BJ+&lt;SSCC-3&gt; \<br/><b>PCI</b>+41G'<br/><b>GIN</b>+DA+&lt;nGRAI-1&gt; \'</p>   | <p>The third packing on pallet level is being described.<br/>It concerns 1 pallet 80 x 120 cm<br/><br/><br/>Logistic unit is marked with SSCC-3<br/>The pallet type is identified by nGRAI-1</p>       |
| <p>22<br/>23<br/>27<br/>30<br/><br/>31<br/>32<br/>35<br/>38</p>                                  | <p><b>CPS</b>+7+6'<br/><b>PAC</b>+6++CR'<br/><b>PCI</b>+41G'<br/><b>GIN</b>+DA+&lt;nGRAI-2&gt; \<br/><br/><b>LIN</b>+4++&lt;GTIN-1&gt;:SRV'<br/><b>PIA</b>+1+LOT545:NB'<br/><b>QTY</b>+12:12'<br/><b>DTM</b>+361:201309120000:203'</p>  | <p>On crate level, the first crate type is being described.<br/>It concerns 6 crates of type nGRAI-2.<br/><br/>The 6 crates carry in total 12 units of GTIN-1.</p>   |
| <p>22<br/>23<br/>27<br/>30<br/><br/>31<br/>32<br/>35<br/>38</p>                                  | <p><b>CPS</b>+8+6'<br/><b>PAC</b>+8++CR'<br/><b>PCI</b>+41G'<br/><b>GIN</b>+DA+&lt;nGRAI-3&gt; \<br/><br/><b>LIN</b>+5++&lt;GTIN-2&gt;:SRV'<br/><b>PIA</b>+1+LOT546:NB'<br/><b>QTY</b>+12:24'<br/><b>DTM</b>+361:201309130000:203'</p>  | <p>Still on crate level, the second crate type and its<br/>content is being described.<br/><br/>The 8 crates carry in total 24 units of GTIN-2.</p>  |
| <p>22<br/>23<br/>27<br/>30<br/>27<br/>30</p>   | <p><b>CPS</b>+9+1'<br/><b>PAC</b>+1++201'<br/><b>PCI</b>+33E'<br/><b>GIN</b>+BJ+&lt;SSCC-4&gt; \<br/><b>PCI</b>+41G'<br/><b>GIN</b>+DA+&lt;nGRAI-1&gt; \'</p>   | <p>The fourth packing on pallet level<br/>is being described. It concerns 1 pallet<br/>80 x 120 cm<br/><br/><br/>Logistic unit is marked with SSCC-4<br/>The pallet type is identified by nGRAI-1</p> |
| <p>22<br/>23<br/>27<br/>30<br/><br/>31</p>   | <p><b>CPS</b>+10+9'<br/><b>PAC</b>+18++CR'<br/><b>PCI</b>+41G'<br/><b>GIN</b>+DA+&lt;nGRAI-3&gt; \<br/><br/><b>LIN</b>+6++&lt;GTIN-2&gt;:SRV'</p>   | <p>As for the crate level,<br/>it concerns 18 crates of type nGRAI-3.<br/><br/>The crates carry in total 28 units of GTIN-2.</p>   |

|    |                                   |  |
|----|-----------------------------------|--|
| 32 | <b>PIA</b> +1+LOT545:NB'          |  |
| 35 | <b>QTY</b> +12:28'                |  |
| 38 | <b>DTM</b> +361:201309120000:203' |  |
| 22 | <b>CPS</b> +11+9'                 | Still on crate level, 2 crates of type nGRAI-3 are mentioned separately without LIN segment underneath.<br>These are considered as empty 'stabilization' crates. |
| 23 | <b>PAC</b> +2++CR'                |  |
| 27 | <b>PCI</b> +41G'                  |  |
| 30 | <b>GIN</b> +DA+<nGRAI-3>'         |  |
| 56 | <b>CNT</b> +2:6'                  | In total, there are 6 line items.<br>In total, there are 85 segment lines<br>Interchange trailer   |
| 57 | <b>UNT</b> +85+5174'              |  |
| .. | <b>UNZ</b> +1+4568'               |  |

**Example 2: How to cover empty assets that are part of a logistic unit? (E.g. stabilization crates)**

This is the case when empty crates are placed on top of 'crates containing goods'. These empty assets are distinguished from the 'assets carrying goods', by mentioning them in another CPS-PAC-PCI-GIN segment group **without** a referring LIN segment underneath. (See example above, case SSCC-4).

**Example 3: How to cover empty assets that are NOT part of the logistic unit?**

This is the case when empty assets are transported in the same truck and thus considered as part of the consignment, but packed separately from the goods.

Because this empty RTI is **NOT** part of the logistic unit, it is expected in the non-structured part of the DESADV, i.e. **between CPS+1' and CPS+2+1'** requiring a **specific approach and code value (see example below)**. Note that this is the only business case in which the LIN segment only indicates a sequence number.

|    |                                   |  |
|----|-----------------------------------|--|
| #  | ...                               |  |
| 22 | CPS+1'                            | General/entire consignment<br>There are 4 (loaded) logistic carriers   |
| 23 | PAC+4'                            |  |
| 31 | <b>LIN+1'</b>                     |  |
| 32 | <b>PIA+5+&lt;nGRAI-3&gt;:SUE'</b> | 10 empty assets of nGRAI-3<br>are despatched.  |
| 35 | <b>QTY+12:10'</b>                 |  |
|    |                                   |  |
| 22 | <b>CPS+2+1'</b>                   | The first packing (pallet level) is being described.<br>It concerns 1 pallet 80 x 120 cm<br><br>carrying GTIN-1. |
| 23 | <b>PAC+1++201'</b>                |  |
| 27 | <b>PCI+41G'</b>                   |  |
| 30 | <b>GIN+DA+&lt;nGRAI-1&gt;'</b>    |  |
| 31 | <b>LIN+2++&lt;GTIN-1&gt;:SRV'</b> |  |
|    | ...                               |  |



**Example 4: Serialized crates on pallets**

The supplier sends 2 pallets with serialized crates.

The first logistic unit (SSCC-1) carries




crate sGRAI-1 containing 2 units of GTIN-1,

crate sGRAI-2 containing 2 units of GTIN-1,

crate sGRAI-3 containing 2 units of GTIN-1,

...

Notice how the DESADV explicitly specifies 'per pallet' and 'per serialized crate' its content (in that top down order) via the 'CPS-PAC-PCI-GIN segment group'.

|    |                                   |   |
|----|-----------------------------------|---|
| #  | ...                               |   |
| 22 | <b>CPS+1'</b>                     | General/entire consignment  |
| 23 | <b>PAC+2'</b>                     | There are 2 logistic carriers   |
| 22 | <b>CPS+2+1'</b>                   | The first packing (pallet level) is being described.                                  |
| 23 | <b>PAC+1++201'</b>                | It concerns 1 pallet 80 x 120 cm  |
| 27 | <b>PCI+33E'</b>                   |   |
| 30 | <b>GIN+BJ+&lt;SSCC-1&gt;'</b>     | The logistic unit is marked with SSCC-1   |
| 27 | <b>PCI+41G'</b>                   | The pallet type is identified by nGRAI-1  |
| 30 | <b>GIN+DA+&lt;nGRAI-1&gt;'</b>    |   |
| 22 | <b>CPS+3+2'</b>                   | The packing within the pallet level (crate level) is being described.                 |
| 23 | <b>PAC+1++CR'</b>                 | It concerns a <b>serialized</b> crate (cf. code <b>DB</b> <sup>7</sup> )              |
| 27 | <b>PCI+41G'</b>                   | identified by <b>sGRAI-1</b> .  |
| 30 | <b>GIN+DB+&lt;sGRAI-1&gt;'</b>    |   |
| 31 | <b>LIN+1++&lt;GTIN-1&gt;:SRV'</b> | This crate contains 2 units of GTIN-1.  |
| 32 | <b>PIA+1+LOT545:NB'</b>           |  |
| 35 | <b>QTY+12:2'</b>                  |   |
| 38 | <b>DTM+361:201309120000:203'</b>  |   |
| 22 | <b>CPS+4+2'</b>                   | Still on crate level.   |
| 23 | <b>PAC+1++CR'</b>                 |   |
| 27 | <b>PCI+41G'</b>                   | The second serialized crate   |
| 30 | <b>GIN+DB+&lt;sGRAI-2&gt;'</b>    | identified by <b>sGRAI-2</b> .  |
| 31 | <b>LIN+2++&lt;GTIN-1&gt;:SRV'</b> | also contains 2 units of GTIN-1.  |
| 32 | <b>PIA+1+LOT545:NB'</b>           |  |
| 35 | <b>QTY+12:2'</b>                  |   |
| 38 | <b>DTM+361:201309120000:203'</b>  |   |
| 22 | <b>CPS+5+2'</b>                   | Still on crate level.   |
| 23 | <b>PAC+1++CR'</b>                 |   |
| 27 | <b>PCI+41G'</b>                   | The third serialized crate  |
| 30 | <b>GIN+DB+&lt;sGRAI-3&gt;'</b>    | identified by <b>sGRAI-3</b>  |
| 31 | <b>LIN+3++&lt;GTIN-1&gt;:SRV'</b> | contains 2 units of GTIN-1.   |
|    | ...                               |  |

<sup>7</sup> It speaks for itself that the use of qualifier "DB" is not restricted to crates. It can be used for any kind of RTI that needs to be individually identified.

**4. Delivery of complex pallets**

Tip: Recommendations on the SSCC labeling of complex pallets can be found in the international logistic label guideline:

<https://www.gs1belu.org/nl/downloads/manual/gs1-logistic-label-guideline-2016>



+ the Belgilux annex:

- Dutch: <https://www.gs1belu.org/nl/downloads/manual/gs1-logistics-label-annex-gs1-belgium-luxembourg>
- French: <https://www.gs1belu.org/fr/downloads/manual/gs1-logistics-label-annexe-gs1-belgium-luxembourg>

**Example 1: Stacked pallets (with or without global wrapping)**  
Supplier delivers 9 logistic units stacked on top of each other.

|  |  |  |  |
|--|--|--|--|
| #22<br>#23   | ...<br><b>CPS+1'</b><br>PAC+9'   | General consignment level<br>The shipment contains 9 logistic carriers   |  |
| #22<br>#23<br>#24<br>#27<br>#30<br>#27<br>#30<br>#31<br>#34<br>#35 | <b>CPS+2+1'</b><br>PAC+1++201'<br>MEA+PD+AAC+KGM:200' OPTIONAL<br>PCI+33E'<br>GIN+BJ+SSCC-1'<br>PCI+41G'<br>GIN+DA+nGRAI-1'<br>LIN+1++GTIN-1:SRV'<br>MEA+PD+AAC+KGM:200'<br>REQUIRED when relevant<br>QTY+12:50' | Description of 1 <sup>st</sup> packing<br>It concerns 1 pallet 80 x 120 cm<br><br>The logistic unit is identified by SSCC-1<br><br>The pallet type is identified by nGRAI-1<br><br>The logistic unit contains 50 units of GTIN-1 |  |
| #22<br>#23<br>#27<br>#30<br>#27<br>#30<br>#31<br>#34<br>#35        | <b>CPS+3+1'</b><br>PAC+1++201'<br>PCI+33E'<br>GIN+BJ+SSCC-2'<br>PCI+41G'<br>GIN+DA+nGRAI-1'<br>LIN+2++GTIN-1:SRV'<br>MEA+PD+AAC+KGM:200'<br>REQUIRED when relevant<br>QTY+12:50'                                 | Description of 2 <sup>nd</sup> packing<br>It concerns 1 pallet 80 x 120 cm<br><br>The logistic unit is identified by SSCC-2<br><br>The pallet type is identified by nGRAI-1<br><br>The logistic unit contains 50 units of GTIN-1 |  |
| #22<br>#23<br>#27<br>#30<br>#27<br>#30<br>#31<br>#34<br>#35        | <b>CPS+4+1'</b><br>PAC+1++201'<br>PCI+33E'<br>GIN+BJ+SSCC-3'<br>PCI+41G'<br>GIN+DA+nGRAI-1'<br>LIN+3++GTIN-1:SRV'<br>MEA+PD+AAC+KGM:200'<br>REQUIRED when relevant<br>QTY+12:50'<br>...                          | Description of 3 <sup>rd</sup> packing<br>It concerns 1 pallet 80 x 120 cm<br>The logistic unit is identified by SSCC-3<br><br>The pallet type is identified by nGRAI-1<br><br>The logistic unit contains 50 units of GTIN-1     |  |

**How to cover stacked pallets that are wrapped together?**

It makes no difference whether or not the logistic units are wrapped together. However, should there be an optional global label (with serial code) on top of the 3 stacked pallets, then this code is **NOT** to be mentioned in the DESADV.




**Example 2: Half pallets delivered on mother pallet** (with or without wrapping)  
The supplier delivers 9 logistic units, each carrying 2 half pallets<sup>8</sup>.

|  |  |  |
|--|--|--|
| ...<br>CPS+1'<br>PAC+9'  | General consignment level<br>The shipment contains<br>9 logistic carriers<br>(irrespective of the half pallets it's carrying)  |  |
| <b>CPS+2+1'</b><br>PAC+1++201'<br>MEA+PD+AAC+KGM:150' OPTIONAL<br>PCI+33E'<br>GIN+BJ+SSCC-1'<br>PCI+41G'<br>GIN+DA+nGRAI-1'  | Description of the 1 <sup>st</sup> packing (mother pallet)<br>It concerns 1 pallet 80 x 120 cm<br>The logistic unit is identified by SSCC-1<br><br>The asset type (mother pallet) is identified by nGRAI-1   |  |
| <b>CPS+3+2'</b><br>PAC+1++200'<br>PCI+41G'<br>GIN+DA+nGRAI-2'<br>LIN+1++GTIN-1:SRV'<br>PIA+1+LOT656:NB'<br>MEA+PD+AAC+KGM:75'<br>REQUIRED when relevant<br>QTY+12:40'<br>DTM+361:201310100000:203' | Description of the packing (on half pallet level)<br>It concerns 1 half pallet 80 x 60 cm<br>The asset type is identified by nGRAI-2.<br><br>The half pallet is carrying 40 units of GTIN-1,<br>with best before date 10 <sup>th</sup> of Oct 2013 and lot<br>number LOT656. |  |
| <b>CPS+4+2'</b><br>PAC+1++200'<br>PCI+41G'<br>GIN+DA+nGRAI-2'<br>LIN+2++GTIN-1:SRV'<br>PIA+1+LOT650:NB'<br>MEA+PD+AAC+KGM:75'<br>REQUIRED when relevant<br>QTY+12:40'<br>DTM+361:201308100000:203' | Still on half pallet level<br>It concerns another half pallet 80 x 60 cm<br>The asset type is identified by nGRAI-2.<br><br>The half pallet is carrying 40 units of GTIN-1,<br>with best before date 10 <sup>th</sup> of Aug 2013 and lot<br>number LOT650.                  |  |
| <b>CPS+5+1'</b><br>...   | Description of the second (mother) pallet.   |  |

**Note:** Although the content is described on 'half pallet level', the SSCC is only indicated on the (above mentioned) mother pallet level.  
The hierarchical composition (with CPS+**2**+1 indicating the SSCC and CPS+3+**2**;  
CPS+4+**2** describing the content) allows to link the SSCC to the content of the half pallets.

<sup>8</sup> Note that the whole (i.e. the mother pallet together with the half pallets) is to be regarded as 1 logistic unit. This composition is thus identified by 1 SSCC (instead of 1 SSCC per half pallet).

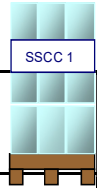
**Example 3: Half pallets without mother pallet, but wrapped together**  
 The supplier delivers 4 logistic units, consisting of 8 half pallets.<sup>9</sup>

|  |   |
|--|---|
| <p>...</p> <p>CPS+1'</p> <p>PAC+8'</p>   | <p>General consignment level</p> <p>The shipment contains 8 logistic car</p>   |
| <p><b>CPS+2+1'</b></p> <p>PAC+<b>2</b>++200'</p> <p>MEA+PD+AAC+KGM:150' OPTIONAL</p> <p>PCI+33E'</p> <p>GIN+BJ+SSCC-1'</p> <p>PCI+41G'</p> <p>GIN+DA+nGRAI-2'</p> <p>LIN+1++GTIN-1:SRV'</p> <p><b>MEA+PD+AAC+KGM:130'</b></p> <p>REQUIRED when relevant</p> <p>PIA+1+LOT656:NB'</p> <p>QTY+12:40'</p> <p>DTM+361:201310100000:203'</p> <p>LIN+2++GTIN-2:SRV'</p> <p><b>MEA+PD+AAC+KGM:20'</b></p> <p>REQUIRED when relevant</p> <p>PIA+1+LOT670:NB'</p> <p>QTY+12:60'</p> <p>DTM+361:201310200000:203'</p> | <p>Description of the 1<sup>st</sup> packing</p> <p>The packing consists of <b>2 half pallets</b> 80 x 60 cm</p> <p>The logistic unit is identified by SSCC-1.</p> <p>The asset types are identified by nGRAI-2.</p> <p>The logistic unit carries 40 units of GTIN-1, with best before date 10<sup>th</sup> of Oct 2013 and lot number LOT656.</p> <p>The logistic unit also carries 60 units of GTIN-2, with best before date 20<sup>th</sup> of Oct 2013 and lot number LOT670.</p> |
| <p><b>CPS+3+1'</b></p> <p>PAC+<b>2</b>++200'</p> <p>PCI+33E'</p> <p>GIN+BJ+SSCC-2'</p> <p>PCI+41G'</p> <p>GIN+DA+nGRAI-2'</p> <p>LIN+3++GTIN-1:SRV'</p> <p>...</p>   | <p>Description of the next packing.</p> <p>The packing consists of <u>2 half pallets</u> 80 x 60 cm</p> <p>The logistic unit is identified by SSCC-2.</p> <p>The asset types are identified by nGRAI-2.</p>   |

<sup>9</sup> Note that the "2 half pallets wrapped together" are to be regarded as the logistic unit, and are thus identified by 1 SSCC only (instead of each half pallet separately).

**Example 4: Single half pallet**

The supplier delivers 3 (single) half pallets, each identified by SSCC.



|  |   |
|--|---|
| <p>...</p> <p>CPS+1'</p> <p>PAC+3'</p>   | <p>General consignment level</p> <p>The shipment contains 3 logistic carriers</p>   |
| <p><b>CPS+2+1'</b></p> <p>PAC+1++200'</p> <p>MEA+PD+AAC+KGM:150' OPTIONAL</p><br><p>PCI+33E'</p> <p>GIN+BJ+SSCC-1'</p> <p>PCI+41G'</p> <p>GIN+DA+nGRAI-2'</p><br><p>LIN+1++GTIN-1:SRV'</p> <p>PIA+1+LOT656:NB'</p> <p>MEA+PD+AAC+KGM:150'</p> <p>REQUIRED when relevant</p> <p>QTY+12:40'</p> <p>DTM+361:201310100000:203'</p>   | <p>Description of the 1<sup>st</sup> packing</p> <p>The packing consists of a half pallet 80 x 60 cm</p><br><p>The logistic unit is identified by SSCC-1.</p><br><p>The asset type is identified by nGRAI-2.</p><br><p>The logistic unit is carrying 40 units of GTIN-1, with best before date 10<sup>th</sup> of Oct 2013 and lot number LOT656.</p> |
| <p><b>CPS+3+1'</b></p> <p>PAC+1++200'</p> <p>MEA+PD+AAC+KGM:150'</p><br><p>PCI+33E'</p> <p>GIN+BJ+SSCC-2'</p> <p>PCI+41G'</p> <p>GIN+DA+nGRAI-2'</p><br><p>LIN+2++GTIN-2:SRV'</p> <p>PIA+1+LOT730:NB'</p> <p>MEA+PD+AAC+KGM:150'</p> <p>REQUIRED when relevant</p> <p>QTY+12:60'</p> <p>DTM+361:201310200000:203'</p> <p>...</p> | <p>Description of the next packing.</p> <p>The packing consists of a half pallet 80 x 60 cm</p><br><p>The logistic unit is identified by SSCC-2.</p><br><p>The asset type is identified by nGRAI-2.</p><br><p>The logistic unit is carrying 60 units of GTIN-2, with best before date 20<sup>th</sup> of Oct 2013 and lot number LOT730.</p>          |



**5. Delivery of self-assembled trolleys (variable number of shelves)**

Whenever possible a trolley should be identified with only 1 (nGRAI) code. In some cases however, the supplier ‘assembles’ the trolley and shelves himself. If these self-assembled trolleys can only be identified by (the nGRAI of) its composing parts (e.g. wheels, shelves) then this is done as follows:

**Example 1: Self-assembled uniform trolley.** The supplier delivers a uniform trolley (carrying 50 units of GTIN-1). Note how the supplier specifies the number of shelves (5) in an additional CPS-PAC segment group.



|     |                              |   |
|-----|------------------------------|---|
| #22 | ...                          | It concerns 1 trolley.<br><br>The logistic unit is marked with SSCC. The asset type is identified by nGRAIs (it concerns the trolley post and the wheels)                             |
| #22 | <b>CPS+2+1'</b>              |   |
| #23 | PAC+1+++ <b>TRE'</b>         |   |
| #27 | PCI+33E'                     |   |
| #30 | GIN+BJ+SSCC-1'               |   |
| #30 | GIN+DA+8716532001140'        |   |
| #30 | GIN+DA+8716532001119'        | The second packing is being described (i.e. the <b>5 shelves</b> on the trolley).<br><br>The asset type is identified by nGRAI (shelf)<br><br>The 5 shelves carry 50 units of GTIN-1. |
| #22 | <b>CPS+3+2'</b>              |   |
| #23 | PAC+ <b>5</b> +++ <b>PU'</b> |   |
| #27 | PCI+41G'                     |   |
| #30 | GIN+DA+8716532001157'        |   |
| #31 | LIN+1+++<GTIN-1>:SRV'        |   |
| #35 | QTY+12:50'                   |   |
|     | ...                          |   |

**Example 2: Self-assembled mixed trolley.** The supplier delivers a mixed trolley (carrying different GTINs). In this case it is recommended (by the EDI Committee) to specify the content per shelf (as such):



|     |                              |   |
|-----|------------------------------|---|
| #22 | ...                          | It concerns 1 trolley.<br><br>The logistic unit is marked with SSCC. The asset type is identified by nGRAIs (it concerns the trolley post and the wheels)                             |
| #22 | <b>CPS+2+1'</b>              |   |
| #23 | PAC+1+++ <b>TRE'</b>         |   |
| #27 | PCI+33E'                     |   |
| #30 | GIN+BJ+SSCC-1'               |   |
| #30 | GIN+DA+8716532001140'        |   |
| #30 | GIN+DA+8716532001119'        | The second packing is being described (i.e. the <b>first shelf</b> on the trolley).<br><br>The asset type is identified by nGRAI (shelf)<br><br>The shelf carries 10 units of GTIN-1. |
| #22 | <b>CPS+3+2'</b>              |   |
| #23 | PAC+ <b>1</b> +++ <b>PU'</b> |   |
| #27 | PCI+41G'                     |   |
| #30 | GIN+DA+8716532001157'        |   |
| #31 | LIN+1+++<GTIN-1>:SRV'        |   |
| #35 | QTY+12:10'                   |   |
|     | ...                          |   |
| #22 | <b>CPS+4+2'</b>              | The <b>next shelf</b> is being described.<br><br>The shelf carries 15 units of GTIN-2.  |
| #23 | PAC+ <b>1</b> +++ <b>PU'</b> |   |
| #27 | PCI+41G'                     |   |
| #30 | GIN+DA+8716532001157'        |   |
| #30 | GIN+DA+8716532001157'        |   |
| #31 | LIN+1+++<GTIN-2>:SRV'        |   |
| #35 | QTY+12:15'                   |   |
|     | ...                          |   |

**Goods with a variable weight**

**Example:** The supplier delivers 16 trays of apples (= 16 x GTIN-1), representing 201.365 kg in total.



|   |   |
|---|---|
| <p>#22 ...<br/>                 #23 <b>CPS+2+1'</b><br/>                 #23 PAC+1++201'<br/>                 #24 MEA+PD+AAC+KGM:201.365'<br/>                 OPTIONAL<br/>                 #27 PCI+33E'<br/>                 #30 GIN+BJ+SSCC-1'<br/>                 #27 PCI+41G'<br/>                 #30 GIN+DA+nGRAI-1'</p> <p>#31 LIN+1++&lt;GTIN-1&gt;:SRV'<br/>                 #32 PIA+1+LOT730:NB'<br/>                 #34 MEA+PD+AAC+KGM:201.365'<br/>                 REQUIRED<br/>                 #35 QTY+12:16'<br/>                 #38 DTM+361:201312310000:203'<br/>                 ...</p> | <p>Description of 1<sup>st</sup> packing<br/>                 The packing consists of a pallet 80 x 120 cm</p> <p>The logistic unit is identified by SSCC-1<br/>                 The pallet type is identified by nGRAI-1</p> <p>The logistic unit carries 16 units of GTIN-1<br/>                 (=16 trays), representing 201.365 kg</p> |
|---|---|

**Corresponding GS1 logistic label:**

|  |                 |
|--|-----------------|
| From:<br>SUPPLIER  | To:<br>RETAILER |
| <b>SSCC: 054222220008613709</b>  |                 |
| JONAGOLD   |                 |
| CONTENT:   | 95422222001001  |
| COUNT:   | 16              |
| NET WEIGHT:  | 201.365KG       |
| BEST BEFORE:   | 31/12/2013      |
| <br>(02) 9 5422222 00100 5 (37) 16 (3103) 201365 |                 |
| <br>(00) 0 5422222 000861370 2                   |                 |

**Note:** Whenever possible, the 'order unit' and 'delivery unit' should be expressed in 'number of crates/cases/pallets/other' (GTIN) together with their 'exact weight/dimensions'.


**Note:** If it concerns a **delivery in bulk** for which the quantity can only be expressed in kg, l or m, the DESADV should express #35 QTY+12:1' and have its exact weight specified in #34 MEA+PD+AAC+KGM:<net weight>'.

**6. Goods subject to traceability requirements**

**Example 1: Traceability of meat<sup>10</sup>**

The supplier delivers 20 crates on a pallet, of which each crate contains 12 trays of minced meat. The net weight and traceability data is mentioned on line level.

**Note:** The example below shows (in red) the minimally required elements for meat (i.e. the 'batch or Sanitel number' for traceability purposes, and the 'best before date' for food safety). On top of that, the example shows (in blue) optional elements that can be mentioned for meat traceability (when relevant).

|    |  |  |   |
|----|--|--|---|
| 22 | ...  | The packing is being described<br>It concerns 1 crate        |  |
| 23 | CPS+3+2'   |  |   |
| 27 | PAC+1++CR'   |  |   |
| 30 | PCI+41G'   |  |   |
| 31 | GIN+DA+nGRAI-1'                                      |  |   |
| 31 | LIN+1++<GTIN-1>:SRV'                                 | Batch number   |   |
| 32 | PIA+1+LOT545:NB' REQUIRED                            | Exact net weight of GTIN-1 in that crate                     |   |
| 34 | MEA+PD+AAC+KGM:5.365' REQUIRED                       | 12 units (e.g. 12 trays of minced meat)                      |   |
| 35 | QTY+12:12'   |  |   |
| 38 | DTM+361:201309120000:203' REQUIRED                   | Best before date   |   |
| 38 | DTM+X20:201309080000:203'                            | Slaughter date   |   |
| 38 | DTM+2BE:201309080000:203'                            | Cutting date   |   |
| 38 | DTM+365:201309080000:203'                            | Packing date   |   |
| 41 | RFF+YC5:EEG93'                                       | Veterinary approval n° slaughterhouse                        |   |
| 41 | RFF+YC4:EEG93'                                       | Veterinary approval n° cutting plant                         |   |
| 43 | LOC+241+BE::5'                                       | Country of birth   |   |
| 43 | LOC+242+BE::5'                                       | Country of fattening   |   |
| 43 | LOC+243+BE::5'                                       | Country of slaughter   |   |
| 43 | LOC+244+BE::5'                                       | Country of cutting   |   |
| 43 | LOC+246+<GLN slaughterhouse>::9'<br>LOC+246+014::60' | Slaughterhouse identification (either by GLN or COMEOS code) |   |
| 43 | LOC+30E+<GLN cutting plant>::9'<br>LOC+30E+014::60'  | Cutting plant identification (either by GLN or COMEOS code)  |   |
|    | ...  |  |   |

<sup>10</sup> Note that the manual for 'identification and traceability of meat' can be found on  
 - Dutch: <https://www.gs1belu.org/nl/downloads/manual/gs1-belgilux-handleiding-vleestraceerbaarheid>  
 - French: <https://www.gs1belu.org/fr/downloads/manual/gs1-belgilux-manuel-tra%C3%A7abilit%C3%A9-viande>

**Example 2: Traceability of 'bulk meat that has to stay together'**

The meat supplier delivers 32 crates on a pallet, of which the first 4 crates need to stay together (when delivered to the stores). The serialized crates are connected 'to one another' via additional identification (PCI+16+1A; PCI+16+1B; up to 1D). The next 4 crates (containing pieces of bulk meat with the same GTIN and Sanitel n°) also need to stay together. These are assigned numbers 2A, 2B, 2C and 2D.

**Note: This concerns a specific business case. It is only to be implemented if bilaterally agreed beforehand with the retailer.** It is the case of bulk meat that doesn't fit in/on 1 logistic carrier (RTI/asset) but that has to stay together (when delivered to the stores). E.g. pieces of beef/pork/other type that are put in more than 1 crate but that need to stay together when delivered to the stores. It requires the use of #27 PCI+16 which allows to connect serialized logistic carriers to one another.

|    |                                  |   |
|----|----------------------------------|---|
| #  | ...                              |   |
| 22 | CPS+1'                           | General/entire consignment  |
| 23 | PAC+1'                           | There is 1 logistic carrier   |
| 22 | CPS+2+1'                         | The first packing (pallet level) is being described.  |
| 23 | PAC+1++201'                      | It concerns 1 pallet 80 x 120 cm  |
| 24 | MEA+PD+AAC+KGM:580.100' OPTIONAL |   |
| 24 | MEA+PD+T+KGM:3.200' DEPENDENT    |   |
| 27 | PCI+33E'                         | Tare weight (Only required in case of a 'wooden pallet carrying variable weight products' and provided it's bilaterally agreed beforehand). |
| 30 | GIN+BJ+<SSCC-1> \                | The logistic unit is marked with SSCC-1.  |
| 27 | PCI+41G'                         |   |
| 30 | GIN+DA+<nGRAI-1> \               | The pallet type is identified by nGRAI-1.   |
| 22 | CPS+3+2'                         | The packing within the pallet level (crate level) is being described.   |
| 23 | PAC+1++CR'                       |   |
| 24 | MEA+PD+AAC+KGM:19.960' OPTIONAL  |   |
| 27 | PCI+41G'                         | It concerns a serialized crate identified by sGRAI-1.   |
| 30 | GIN+DB+<sGRAI-1> \               | This crate (assigned number '1A') should stay together with crates 1B, 1C & 1D.   |
| 27 | PCI+16+1A'                       |   |
| 23 | PAC+1++CR'                       | The second serialized crate identified by sGRAI-2,  |
| 24 | MEA+PD+AAC+KGM:19.530' OPTIONAL  | and assigned number '1B'  |
| 27 | PCI+41G'                         | should stay together with crates 1A, 1C & 1D.   |
| 30 | GIN+DB+<sGRAI-2> \               |   |
| 27 | PCI+16+1B'                       |   |
| 23 | PAC+1++CR'                       | The third serialized crate identified by sGRAI-3,   |
| 24 | MEA+PD+AAC+KGM:15.720' OPTIONAL  | and assigned number '1C'  |
| 27 | PCI+41G'                         | should stay together with crates 1A, 1B & 1D.   |
| 30 | GIN+DB+<sGRAI-3> \               |   |
| 27 | PCI+16+1C'                       |   |
| 23 | PAC+1++CR'                       | The fourth serialized crate identified by sGRAI-4,  |
| 24 | MEA+PD+AAC+KGM:27.050' OPTIONAL  | and assigned number '1D'  |
| 27 | PCI+41G'                         | should stay together with crates 1A, 1B & 1C.   |
| 30 | GIN+DB+<sGRAI-4> \               |   |
| 27 | PCI+16+1D'                       |   |
| 31 | LIN+1++<GTIN-1>:SRV'             | These 4 crates contain pieces of bulk meat (GTIN-1).  |
| 32 | PIA+1+<SANITEL N-1>:X2' REQUIRED |   |
| 34 | MEA+PD+AAC+KGM:82.260' REQUIRED  |   |
| 35 |                                  |   |



|                                  |  |   |
|----------------------------------|--|---|
| 38                               | <b>QTY+12:1'</b><br><b>DTM+361:201309120000:203'</b><br><b>REQUIRED</b>  | For traceability purposes and food safety, both Sanitel n° (or batch n°) and best before date are specified. Other information elements are optional. |
| 22<br>23<br>24<br>27<br>30<br>27 | <b>CPS+4+2'</b><br><b>PAC+1++CR'</b><br><b>MEA+PD+AAC+KGM:19.160' OPTIONAL</b><br><b>PCI+41G'</b><br><b>GIN+DB+&lt;sGRAI-5&gt;'</b><br><b>PCI+16+2A'</b> | Still on crate level.<br>The fifth serialized crate identified by sGRAI-5, and assigned number '2A', should stay together with crates 2B, 2C & 2D.    |
| 23<br>24<br>27<br>30<br>27       | <b>PAC+1++CR'</b><br><b>MEA+PD+AAC+KGM:18.610' OPTIONAL</b><br><b>PCI+41G'</b><br><b>GIN+DB+&lt;sGRAI-6&gt;'</b><br><b>PCI+16+2B'</b><br>...             | The sixth serialized crate identified by sGRAI-6, and assigned number '2B', should stay together with crates 2A, 2C & 2D.                             |



**Example 3: Traceability of fish**

**Note:** Following data must be available to guarantee fish traceability.

- exchanged as transactional data (EDI) in the DESADV:
  - o batch
  - o quantity & net weight
  - o best before data
  - o initial freezing data (if frozen fish)
  - o catch area
- exchanged as master data using for example GDSN and hence not mentioned in the DESADV:
  - o fish specy
  - o catch method

|   |   |  |
|---|---|--|
| 22<br>23<br>27<br>30<br>31<br>32<br>33<br><br>34<br>35<br>38<br><br>... | <b>...</b><br><b>CPS+3+2'</b><br><b>PAC+1++CR'</b><br><b>PCI+41G'</b><br><b>GIN+DA+nGRAI-1'</b><br><b>LIN+1++&lt;GTIN-1&gt;:SRV'</b><br><b>PIA+1+LOT545:NB'</b><br><b>IMD+C++21:X59:400'</b><br><br><b>MEA+PD+AAC+KGM:16.765'</b><br><b>QTY+12:50'</b><br><b>DTM+361:201912310000:203'</b><br><br>... | The packing is being described<br>It concerns 1 crate<br><br>Batch number<br>Fish catch is area 21 (=Northwest Atlantic)<br>see <a href="http://www.fao.org/fishery/area/search/en">http://www.fao.org/fishery/area/search/en</a><br>Total net weight of 50 fishes in the crate<br>Number of fishes in the crate<br>Best before date |
|---|---|--|

**7. Direct delivery to a store**

**Note:** For **direct store deliveries**, it suffices to indicate the store’s GLN in #9 NAD+DP, which is by the way in line with the recommendations of GS1 NL and GS1 FR.

**8. Cross docking & transshipment (synonym ‘flux alloti’)**


*Cross docking implies that only 1 ultimate destination was specified in the order, whereas transshipment implies that the goods are intended for ‘n’ ultimate destinations.*

**Note:** For **cross docking** or **transshipment**, use indication #2 BGM+YA6 (instead of BGM+351). As for the ultimate destination(s), use

- (#9) NAD+UC in case of cross docking (for ‘1’ ultimate destination).
- (#43) LIN.LOC+7’ in case of transshipment. Specify on line level for which store the logistic unit (SSCC) is ultimately intended.

Notice that #9 NAD+DP specifies the GLN of the delivery address (where the goods will be delivered in the first place).

The SSCC may contain goods for only 1 store.

|   |   |
|---|---|
| <p>1 ...<br/>                 1 UNH+5174+DESADV:D:01B:UN:EAN007'<br/>                 2 BGM+YA6+2820+9'<br/>                 3 DTM+137:201305300000:203'<br/>                 3 DTM+2:201305300000:203'<br/>                 3 DTM+17:201305300000:203'<br/>                 7 RFF+ON:1202'<br/> <br/>                 9 NAD+BY+5411111000002::9'<br/>                 9 NAD+SU+5422222000005::9'<br/>                 9 NAD+DP+5411111000115::9'</p>       | <p>Message header<br/>                 The <b>cross docking/transshipment DESADV</b> number<br/>                 Message date 30th of May 2013<br/>                 Requested delivery date 30th of May 2013<br/>                 Estimated delivery date 30th of May 2013<br/>                 DESADV is related to order number 1202<br/> <br/>                 Buyer identified by GLN 5411111000002<br/>                 Supplier identified by GLN 5422222000005<br/>                 Delivery party identified by GLN 5411111000115</p> |
| <p>22 CPS+1'<br/>                 23 PAC+2'</p>   | <p>General/entire consignment<br/>                 There are 2 (loaded) logistic carriers</p>   |
| <p>22 CPS+2+1'<br/>                 23 PAC+1++201'<br/>                 27 PCI+33E'<br/>                 30 GIN+BJ+&lt;SSCC-1&gt; \<br/>                 27 PCI+41G'<br/>                 30 GIN+DA+nGRAI-1'<br/> <br/>                 31 LIN+1++&lt;GTIN-1&gt;:SRV'<br/>                 32 PIA+1+LOT545:NB'<br/>                 35 QTY+12:27'<br/>                 38 DTM+361:201309120000:203'<br/>                 43 LOC+7+&lt;GLN store&gt;::9'</p> | <p>The first packing is being described<br/>                 It concerns 1 pallet 80 x 120 cm<br/>                 Logistic Unit is marked with SSCC-1<br/> <br/>                 The pallet type is identified by nGRAI-1<br/> <br/>                 The articles on this SSCC are intended for store X.</p>    |


As for the **GS1 logistic label**, for some retailers it is desirable to have the ‘GLN of the ultimate recipient’ together with its name in the free text part on the label. Optionally this could also be encoded. ([barcodes@gs1belu.org](mailto:barcodes@gs1belu.org)).

### 9. Backhauling

**Note:** For **backhauling** (meaning 'the buyer picks up the goods'), the GLN of the 'pickup address' is to be specified (via #9 NAD+SF).

Optionally, the supplier may add the explicit mention that 'the buyer picks up the goods' (via #14 TOD+4, collected by customer) and 'the date on which the goods are expected to be shipped' (via #3 DTM+11, despatch date).

Note that a collection date should be arranged beforehand. Under no circumstance should the DESADV be used as a way to agree a pickup date.

|     |                                   |  |
|-----|-----------------------------------|--|
| 1   | ...                               |  |
| 1   | UNH+5174+DESADV:D:01B:UN:EAN007'  |  |
| 2   | BGM+351+2310+9'                   |  |
| 3   | DTM+137:201305300000:203'         |  |
| 3   | DTM+2:201306100000:203'           |  |
| 3   | DTM+11:201306100000:203' OPTIONAL |  |
| 7   | RFF+ON:1202'                      |  |
| 9   | NAD+BY+54111111000002::9'         | The place of delivery (irrespective of the buyer taking care of transport) is still the buyer's DC/store. The GLN of the NAD+SF is to be considered as the pickup address. |
| 9   | NAD+SU+5422222000005::9'          |  |
| 9   | NAD+DP+54111111000115::9'         |  |
| 9   | NAD+SF+5422222000005::9'          |  |
| 14  | TOD+4' OPTIONAL                   | 'Collected by customer'  |
| 22  | CPS+1'                            | General/entire consignment<br>There are 2 logistic carriers  |
| 23  | PAC+2'                            |  |
| 22  | CPS+2+1'                          | The first packing is being described<br>It concerns 1 pallet 80 x 120 cm   |
| 23  | PAC+1++201'                       |  |
| 27  | PCI+33E'                          | Pallet is marked with SSCC-1   |
| 30  | GIN+BJ+<SSCC-1>`                  |  |
| 31  | LIN+1++<GTIN-1>:SRV'              |   |
| 32  | PIA+1+LOT545:NB'                  |  |
| 35  | QTY+12:27'                        |  |
| 38  | DTM+361:201309120000:203'         |  |
| ... | ...                               |  |

**10. Home delivery**

In case of home delivery an end consumer orders goods on the website of the retailer and indicates that the goods:

- have to be delivered at home (delivery address = invoice address)
- have to be delivered at an alternative address like the house of a relative or at work (delivery address ≠ invoice address)
- will be picked up in one of the stores of the retailer

The retailer sends the order to the supplier who needs to deliver the goods on the indicated location.

**Example 1: delivery at home**

|  |  |
|--|--|
| <p>1 ...<br/>                 1 UNH+4102+DESADV:D:01B:UN:EAN007'<br/>                 2 BGM+351+2304+9'<br/>                 3 DTM+137:201405300000:203'<br/>                 3 DTM+2:201405300000:203' OR OPTIONAL<br/>                 DTM+2:201405301200201405301800:719'<br/>                 3 DTM+17:201405300000:203' OR OPTIONAL<br/>                 DTM+17:201405301200201405301800:719'<br/>                 7 RFF+ON:1202'</p> | <p>Requested delivery date and time OR<br/>                 Requested delivery date and part of the day<br/>                 (when end consumer can choose a time slot)<br/>                 Estimated delivery date and time OR<br/>                 Estimated delivery date and part of the day<br/>                 (relevant when there is no "track &amp; trace"<br/>                 solution)</p> <p>(2) DP: dummy GLN with no extra attributes<br/>                 =&gt; delivery address end consumer = invoice<br/>                 address end consumer<br/>                 (1) UC: dummy GLN =&gt; home delivery order.<br/>                 Name and address of the end consumer.</p> |
| <p>9 NAD+BY+5411111000004::9'<br/>                 9 NAD+SU+5422222000005::9'<br/>                 9 NAD+DP+0000000000000::9'<br/>                 9 NAD+UC+0000000000000::9++<br/>                 NAME END CONSUMER+<br/>                 STREET AND NR+CITY++POSTAL<br/>                 CODE+COUNTRY CODE'</p>   |  |
| <p>22 CPS+1'<br/>                 23 PAC+1'</p>  |  |
| <p>22 CPS+2+1'<br/>                 23 PAC+1++CT'<br/>                 27 PCI+33E'<br/>                 30 GIN+BJ+154222220008613709'<br/>                 31 LIN+1++5422222001002:SRV'<br/>                 35 QTY+12:40'<br/>                 31 LIN+2++5422222002009:SRV'<br/>                 35 QTY+12:10'<br/>                 ...</p>   |  |



**Example 2: delivery at an alternative address**

|   |  |
|---|--|
| <p># ...</p> <p>1 UNH+4102+DESADV:D:01B:UN:EAN007'</p> <p>2 BGM+351+2304+9'</p> <p>3 DTM+137:201405300000:203'</p> <p>3 DTM+2:201405300000:203' OR OPTIONAL</p> <p>DTM+2:201405301200201405301800:719'</p> <p>3 DTM+17:201405300000:203' OR OPTIONAL</p> <p>DTM+17:201405301200201405301800:719'</p> <p>7 RFF+ON:1202'</p> <p>9 NAD+BY+5411111000004::9'</p> <p>9 NAD+SU+5422222000005::9'</p> <p>9 NAD+DP+0000000000000::9++</p> <p>NAME RELATIVE OR COMPANY EMPLOYER</p> <p>END CONSUMER +</p> <p>STREET AND NR+CITY++POSTAL</p> <p>CODE+COUNTRY CODE'</p> <p>9 NAD+UC+0000000000000::9++</p> <p>NAME END CONSUMER+</p> <p>STREET AND NR END CONSUMER+CITY++</p> <p>POSTAL CODE+COUNTRY CODE'</p> | <p>Requested delivery date and time OR<br/>Requested delivery date and part of the day<br/>(when end consumer can choose a time slot)<br/>Estimated delivery date and time OR<br/>Estimated delivery date and part of the day<br/>(relevant when there is no "track &amp; trace"<br/>solution)</p> <p>(2) DP: dummy GLN with extra attributes =&gt;<br/>delivery address end consumer ≠ invoice<br/>address end consumer<br/>This is the address of a relative or the<br/>address of the company the end consumer<br/>works.<br/>(1) UC: dummy GLN =&gt; home delivery<br/>order.<br/>Name and address of the end consumer</p> |
| <p># ...</p>  |  |

**Example 3: pick up in the shop**

|  |   |
|--|---|
| <p># ...</p> <p>1 UNH+4102+DESADV:D:01B:UN:EAN007'</p> <p>2 BGM+351+2304+9'</p> <p>3 DTM+137:201405300000:203'</p> <p>3 DTM+2:201405300000:203' OR OPTIONAL</p> <p>DTM+2:201405301200201405301800:719'</p> <p>3 DTM+17:201405300000:203' OR OPTIONAL</p> <p>DTM+17:201405301200201405301800:719'</p> <p>7 RFF+ON:1202'</p> <p>9 NAD+BY+5411111000004::9'</p> <p>9 NAD+SU+5422222000005::9'</p> <p>9 NAD+DP+5411111000559::9'</p> <p>9 NAD+UC+0000000000000::9'</p> | <p>Requested delivery date and time OR<br/>Requested delivery date and part of the day<br/>Estimated delivery date and time OR<br/>Estimated delivery date and part of the day<br/>(relevant when there is no "track &amp; trace"<br/>solution)</p> <p>(2) DP: real GLN =&gt;<br/>delivery address end consumer ≠ invoice<br/>address end consumer<br/>The alternative delivery address is a shop.<br/>(1) UC: dummy GLN =&gt; home delivery<br/>order.</p> |
| <p># ...</p>   |   |

### Non-hierarchical DESADV

Normally a DESADV should describe the consignment in a hierarchical way. This means it describes logistic units which are combinations of trade items and logistic carriers.

When there is a lack of functionality in the ERP system to make a link between trade items and logistic carriers during the picking process, it can be impossible to describe those logistic units.

In that case the non-hierarchical description of a consignment can be used as a temporary solution if the supplier gets the specific permission of the retailer.

CPS+1++4' means that only the number of logistic carriers and trade items in the consignment are described without indication which trade item is located on which logistic carrier. On other words: there are no logistic units being described.

|   |  |  |
|---|--|--|
| 1<br>2<br>3<br>3<br>3<br>7<br>9<br>9<br>9 | ...<br>UNH+5174+DESADV:D:01B:UN:EAN007'<br>BGM+351+2310+9'<br>DTM+137:201305300000:203'<br>DTM+2:201305300000:203'<br>DTM+17:201305300000:203'<br>RFF+ON:1202'<br>NAD+BY+54111111000002::9'<br>NAD+SU+5422222000005::9'<br>NAD+DP+54111111000115::9' |  |
| 22<br>23                                  | CPS+1++4'<br>PAC+2'  | No packaging hierarchy<br>The consignment consists out of 2 logistic carriers. |
| 31<br>35<br>31<br>35<br>31<br>35          | LIN+1++5422222001001:SRV'<br>QTY+12:27'<br>LIN+2++5422222001001:SRV'<br>QTY+12:13'<br>LIN+3++5422222002003:SRV'<br>QTY+12:10'<br>...   |  |

## 11.About

### **How to cover *different* best before dates and/or batch numbers within one GTIN?**

In the DESADV: Specify for each different best before date and/or batch number, the GTIN and its corresponding quantity. How? By repeating the LIN segment group with the GTIN and specifying its quantity, best before date and batch number.

On the 'GS1 logistic label for a uniform pallet': in the case of different 'best before dates', either mention the 'most critical date' or 'no date at all'. In the case of different batch numbers, don't mention any batch number.

### **What if more or less goods are despatched in regards to what was *ordered*?**

Only mention the quantity that is really despatched. The EDI Committee decided to remove the QVR segment (allowing to indicate discrepancies) from the DESADV documentation. (Cf. 25/10/2013)

Note: Trading partners should bilaterally agree beforehand whether or not 'excess or missing quantity' is acceptable, and in the latter case, if backorders are used (and how they should be dealt with).

### **What if the delivery contains *free goods*?**

Only mention the total despatched quantity (QTY+12). There is no distinction for free goods. The EDI Committee decided to remove code value 192 from the QTY segment. This is to avoid unnecessary complexity (e.g. when the supplier delivers less goods than ordered, which might affect the commercially agreed number of free goods). (Cf. 14/02/2014)

### **What if the supplier delivers *promotional* articles (having the *same* GTIN as the regular article)?**

There is no specific indication for these promotional articles. The EDI Committee decided to remove the indication for 'promotional variant number' from the DESADV. (Cf. 25/10/2013)

### **What if goods are delivered '*in consignment*'?**

For goods delivered in consignment, there is no specific indication in the DESADV.

### **How to cover '*consumer empties*'?**

There is no specific indication for consumer empties. The EDI Committee decided that consumer empties should not be made explicit in the DESADV. (Cf. 25/10/2013 & 05/05/2015)

**What if the logistics service provider (LSP) did not load all prepared pallets (but the DESADV is already sent)?**

The supplier is to contact the customer to inform him/her.

**Whose GLN to mention if the logistics service provider (LSP) of the supplier prepared the logistic units and sent the DESADV?**

Optionally specify the GLN of the LSP by using NAD+DEQ (shipper). Possibly useful for the Receiving advice in case goods got damaged during transport.